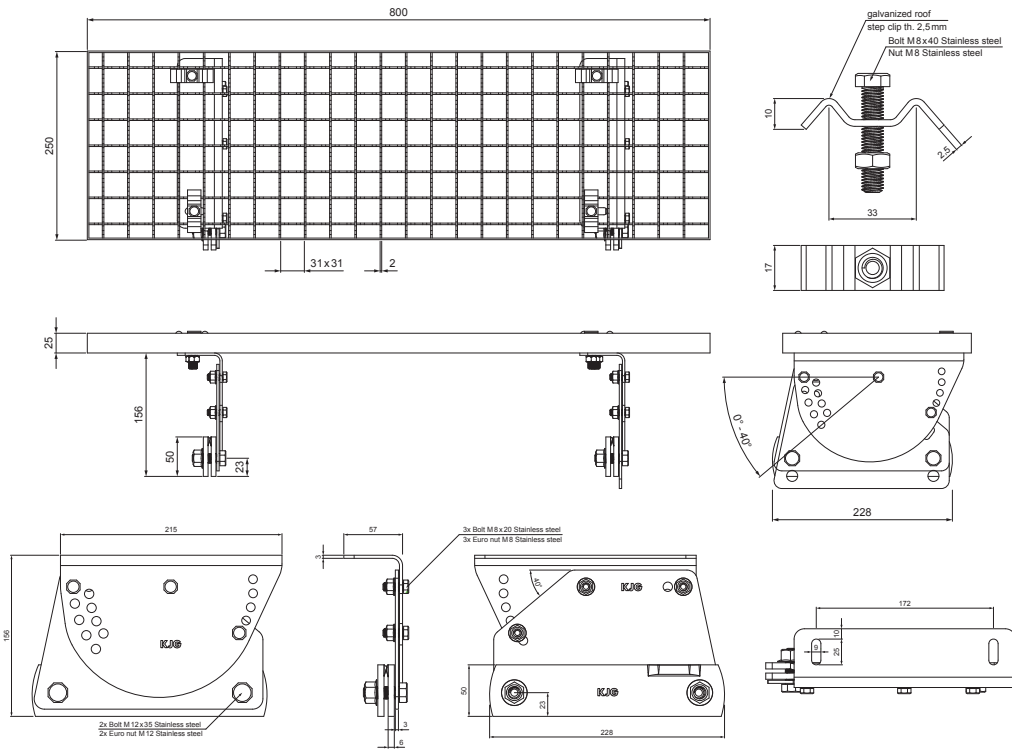


TECHNICAL SHEET

ROOF STEP-SET – SET 800x250

FALZ-PDACH

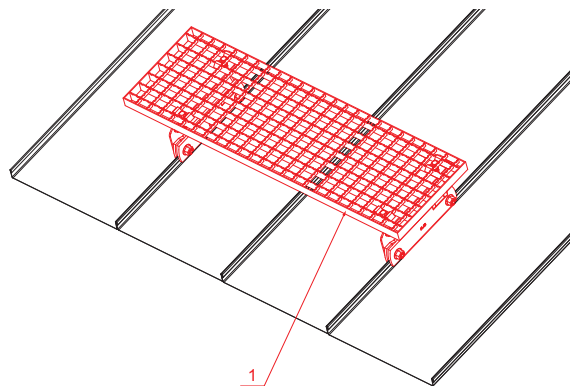


PACKAGING – SET:




- galvanized steel roof step 800x250 – 1 pcs
- aluminium roof step holder – 2 pcs
- bolt M 12x35 Stainless steel – 4 pcs
- nutt M 12 Stainless steel – 4 pcs
- bolt M 8x20 Stainless steel – 6 pcs
- Euro nut M 8 Stainless steel – 6 pcs
- galvanized roof step clip – 4 pcs
- bolt M 8x40 Stainless steel – 4 pcs
- nut M 8 Stainless steel – 4 pcs

DETAIL:

1. roof step-set 800 x 250



TH Galvanized steel prepainted – Dark brown ČOKO – RAL 8017

INDEX	CHANGE	DATE	SIGNATURE			
MATERIAL BRAND			W.C.	WEIGHT kg	SCALE	
SIZE, SEMI-FINISHED PRODUCTS				STN STANDARD	SORTING NUMBER	
AUXILIARY EQUIPMENT				NOTE	POSITION NUMBER	
ELABORATED BY Ing. Kluska M.						
TESTED BY						
TECHNOLOGIST		TECHNOLOGIST		OLD DRAWING	DRAWING NUMBER	
NAME				Roof step-set 800 x 250		
				Number of sheets	FALZ-PDACH Sheet	

Created: 07.06.2026 02:36:52

Technical changes reserved