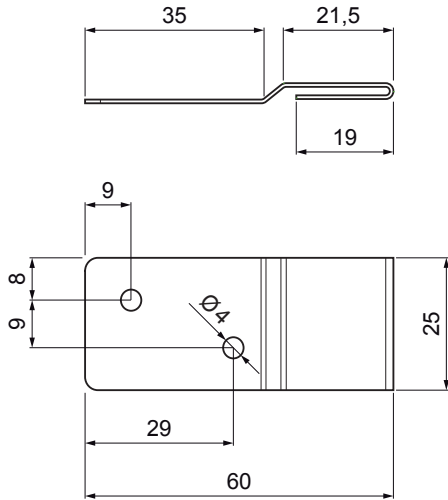


TECHNICAL SHEET

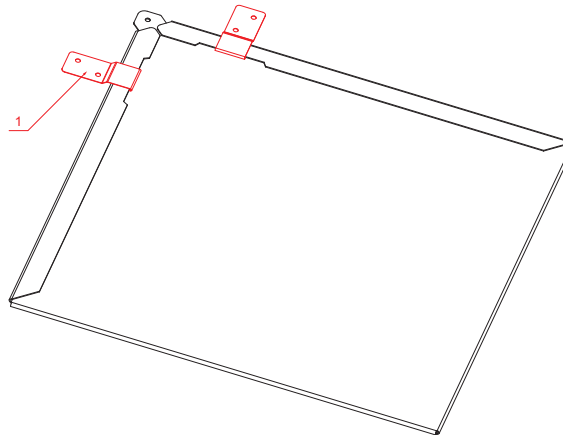
CLIP FOR RHOMBOID ROOF TILE STAINLESS STEEL

KRS-NPRPSL



USE:
- for firm attaching the roofing KJG rhomboid roof tile to the substrate

DETAIL:
1. clip for rhomboid roof tile stainless steel



N Stainless steel – AISI 304 BA – mirror gloss

INDEX	CHANGE	DATE	SIGNATURE		
MATERIAL BRAND			W.C.	WEIGHT kg	SCALE
SIZE, SEMI-FINISHED PRODUCTS				STN STANDARD	SORTING NUMBER
AUXILIARY EQUIPMENT				NOTE	POSITION NUMBER
ELABORATED BY Ing. Kluska M.				OLD DRAWING	DRAWING NUMBER
TESTED BY			TECHNOLOGIST		
NAME			Clip for rhomboid roof tile stainless steel		Number of sheets
					KRS-NPRPSL Sheet

Created: 05.06.2026 06:38:18

Technical changes reserved