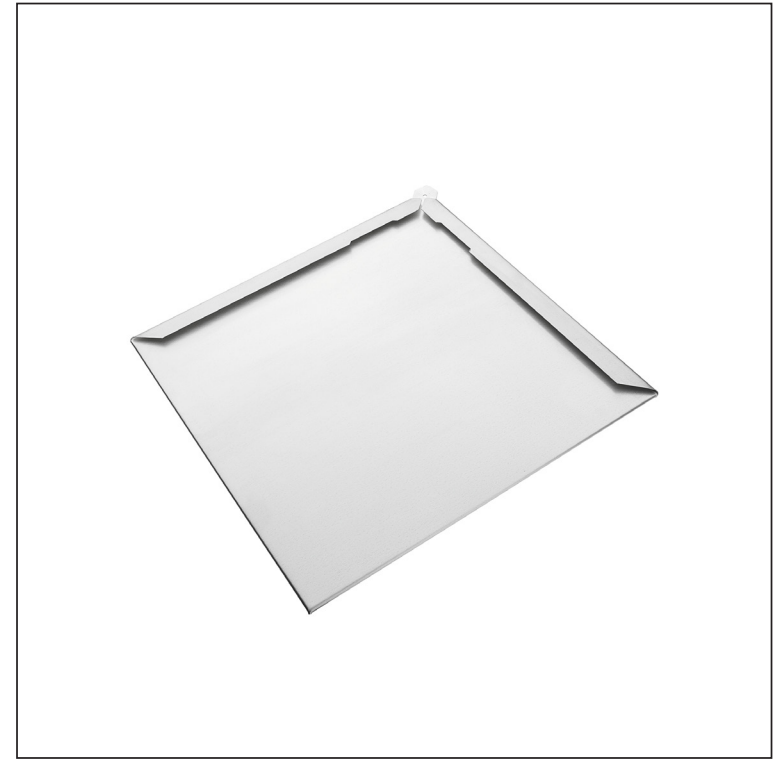
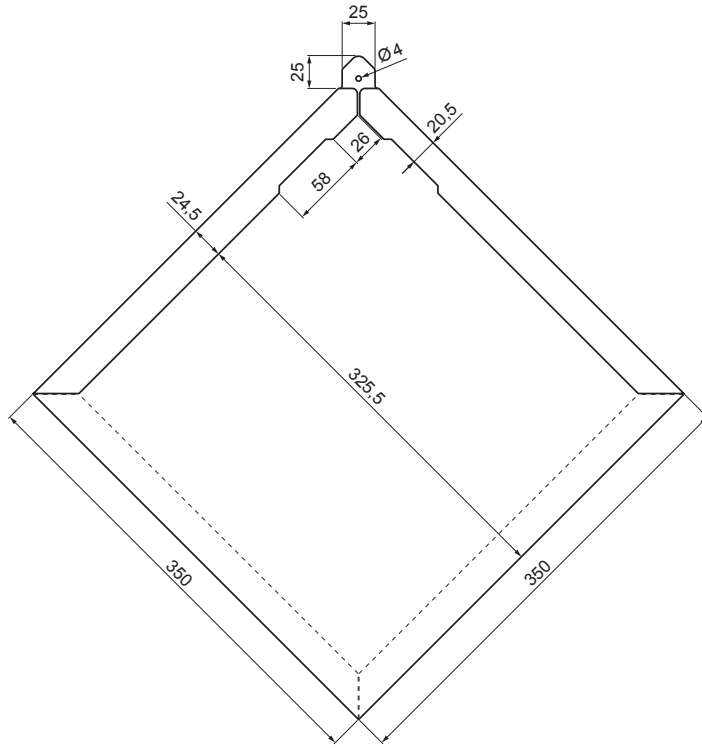


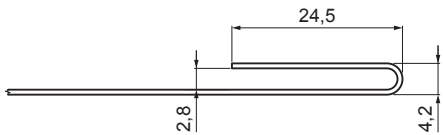
TECHNICAL SHEET

# SQUARE ROOF COVERING

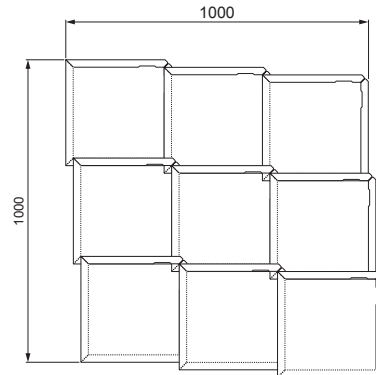
# KRS-TZKRS



DETAIL OF THE BEND:



CONSUMPTION: 9,47 pcs/m<sup>2</sup>



**TZ** Titanium zinc – Natur

INDEX	CHANGE	DATE	SIGNATURE	<b>KJG</b> QUALITY®	Scan code for 3D model	
MATERIAL BRAND			W.C.	WEIGHT kg	SCALE	
SIZE, SEMI-FINISHED PRODUCTS				STN STANDARD	SORTING NUMBER	
AUXILIARY EQUIPMENT				NOTE	POSITION NUMBER	
ELABORATED BY Ing. Kluska M.				OLD DRAWING	DRAWING NUMBER	
TESTED BY						
TECHNOLOGIST			TECHNOLOGIST			
NAME			Square roof covering		Number of sheets	KRS-TZKRS Sheet

Created: 05.04.2026 13:34:55

Technical changes reserved