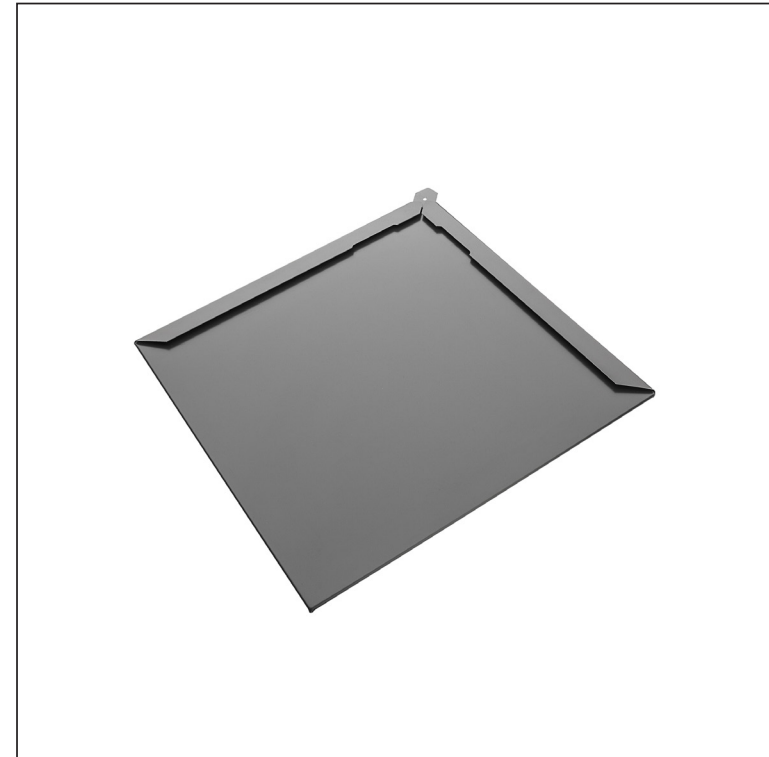
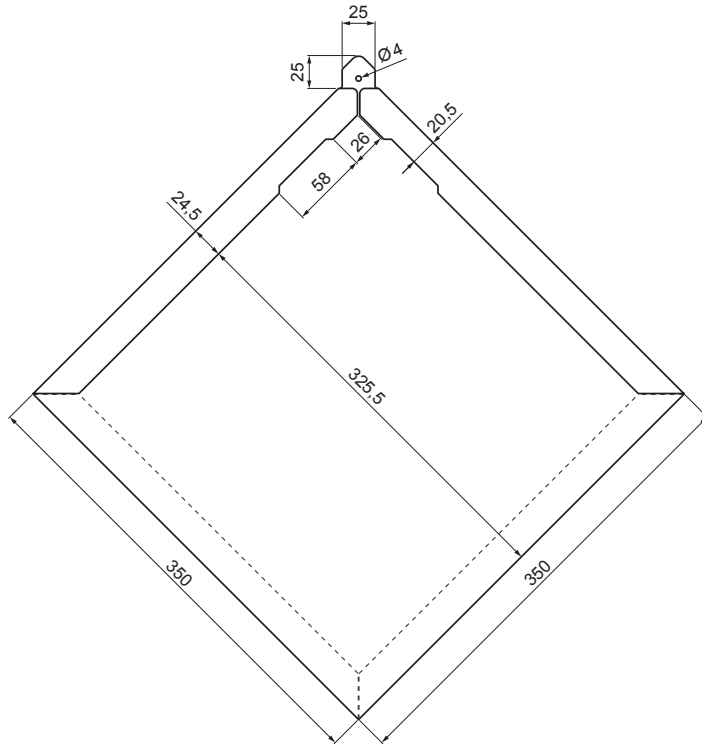


TECHNICAL SHEET

# SQUARE ROOF COVERING

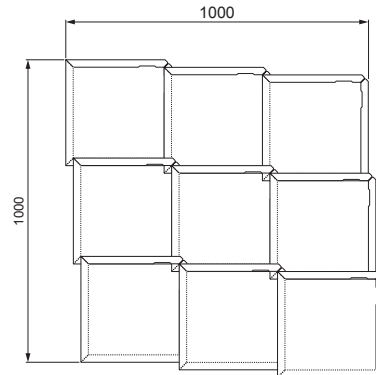
# KRS-PKRS







**DETAIL OF THE BEND:**



**CONSUMPTION: 9,47 pcs/m<sup>2</sup>**



**AN** Galvanized steel pre-painted – Anthracite – RAL 7016

INDEX	CHANGE	DATE	SIGNATURE			
MATERIAL BRAND			W.C.	WEIGHT kg	SCALE	
SIZE, SEMI-FINISHED PRODUCTS				STN STANDARD	SORTING NUMBER	
AUXILIARY EQUIPMENT				NOTE	POSITION NUMBER	
ELABORATED BY Ing. Kluska M.				OLD DRAWING	DRAWING NUMBER	
TESTED BY						
TECHNOLOGIST			TECHNOLOGIST			
NAME			Square roof covering		Number of sheets	KRS-PKRS Sheet 

Created: 06.06.2026 06:58:02

Technical changes reserved