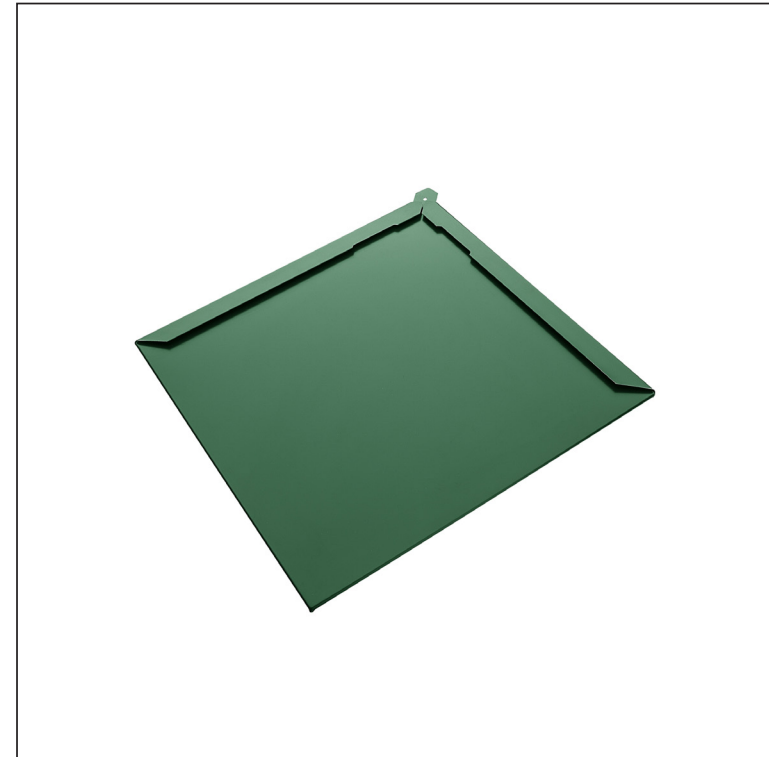
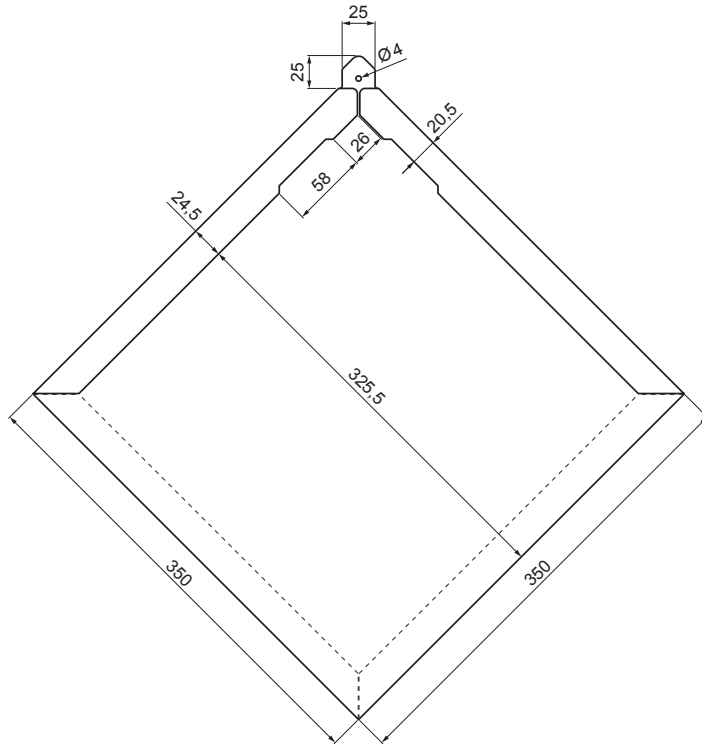


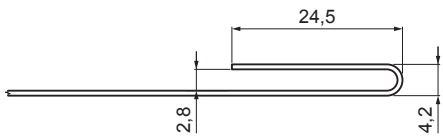
TECHNICAL SHEET

SQUARE ROOF COVERING

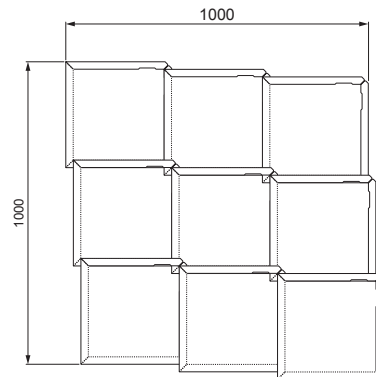
KRS-PKRS







DETAIL OF THE BEND:



CONSUMPTION: 9,47 pcs/m²



MZ Galvanized steel prepainted – Moss green – RAL 6005

INDEX	CHANGE	DATE	SIGNATURE			
MATERIAL BRAND			W.C.	WEIGHT kg	SCALE	
SIZE, SEMI-FINISHED PRODUCTS						
AUXILIARY EQUIPMENT				STN STANDARD	SORTING NUMBER	
ELABORATED BY Ing. Kluska M.				NOTE	POSITION NUMBER	
TESTED BY						
TECHNOLOGIST		TECHNOLOGIST		OLD DRAWING	DRAWING NUMBER	
NAME			Square roof covering		Number of sheets	KRS-PKRS Sheet 

Created: 07.06.2026 21:33:31

Technical changes reserved