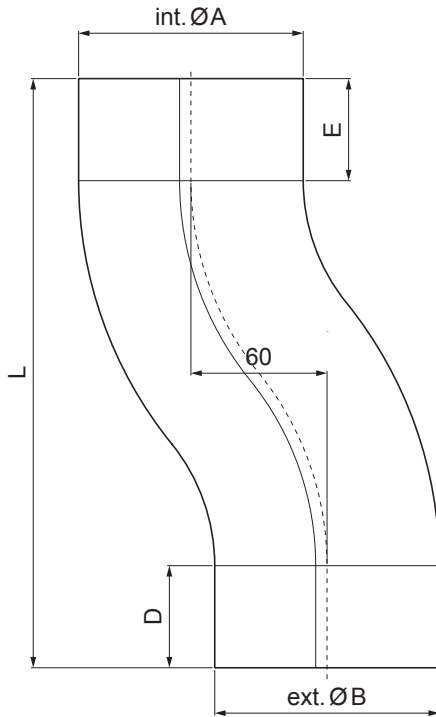


TECHNICAL SHEET




DOUBLE ELBOW

P-PKO



SB Galvanized steel prepainted – Grey white – RAL 9002

Dimensions [mm]					
Nominal size	$\varnothing A$	$\varnothing B$	D	E	L
80	80,4	79,0	35	35	219
100	100,4	99,0	35	35	240
120	120,4	119,0	40	40	268

INDEX	CHANGE	DATE	SIGNATURE		
MATERIAL BRAND			W.C.	WEIGHT kg	SCALE
SIZE, SEMI-FINISHED PRODUCTS					
AUXILIARY EQUIPMENT			STN STANDARD	SORTING NUMBER	
ELABORATED BY Ing. Kluska M.			NOTE		POSITION NUMBER
TESTED BY					
TECHNOLOGIST		TECHNOLOGIST	OLD DRAWING	DRAWING NUMBER	
NAME			P-PKO		
Double elbow			Number of sheets	Sheet 	

Created: 07.06.2026 05:07:48

Technical changes reserved