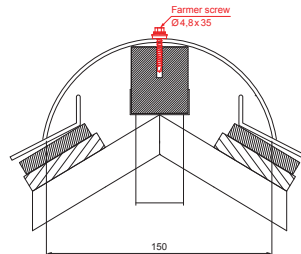
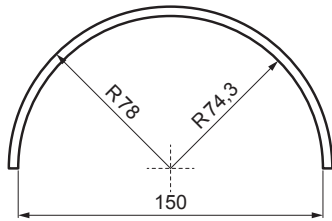
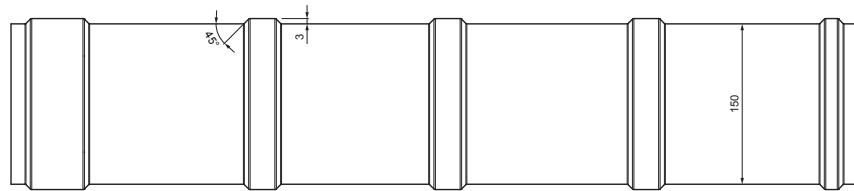
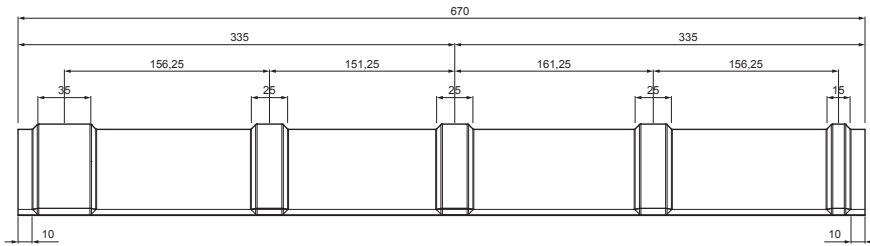


TECHNICAL SHEET

ROOF COVERING RIDGE CAPPING

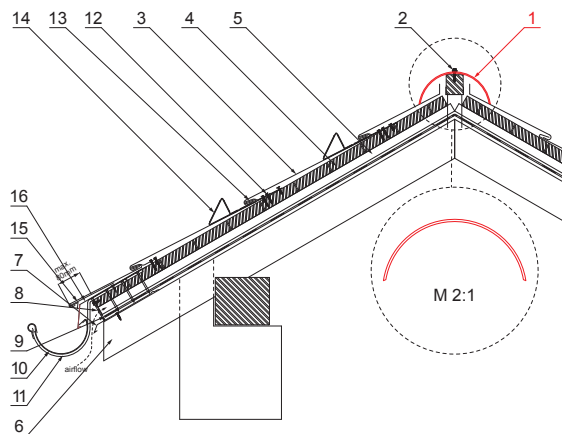
KRS-PKRSH



MH Galvanized steel preprinted – Copper brown – RAL 8004

DETAIL:

1. roof covering ridge capping
2. farmer screw 4,8x35
3. roof covering KJG rhomboid roof tile
4. roof battens
5. batten
6. rafter
7. drip edge
8. protective ventilation belt
9. foil
10. gutter half-round
11. hook
12. screw with TORX head for clip
13. clip for rhomboid roof tile stainless steel
14. nose snow stopper for rhomboid roof tile
15. base strip
16. cover sheet



INDEX	CHANGE	DATE	SIGNATURE	KJG QUALITY®	Scan code for 3D model
MATERIAL BRAND			W.C.	WEIGHT kg	SCALE
SIZE, SEMI-FINISHED PRODUCTS				STN STANDARD	SORTING NUMBER
AUXILIARY EQUIPMENT				NOTE	POSITION NUMBER
ELABORATED BY Ing. Kluska M.				OLD DRAWING	DRAWING NUMBER
TESTED BY			TECHNOLOGIST		
NAME			Roof covering ridge capping		
			Number of sheets	KRS-PKRSH Sheet	

Created: 21.04.2026 16:22:00

Technical changes reserved