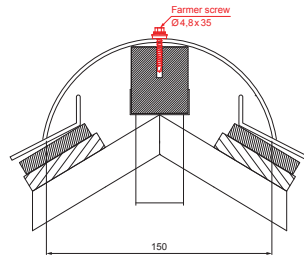
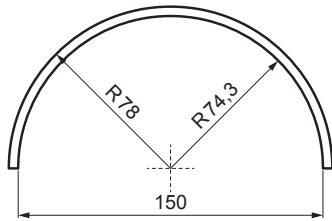
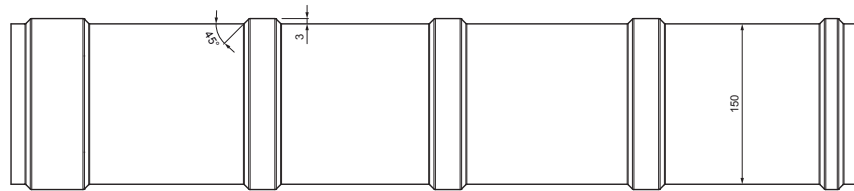
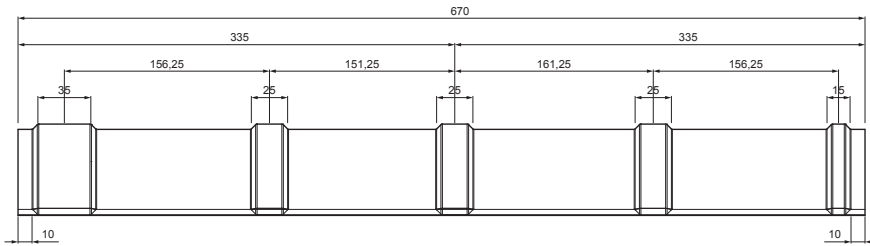


TECHNICAL SHEET

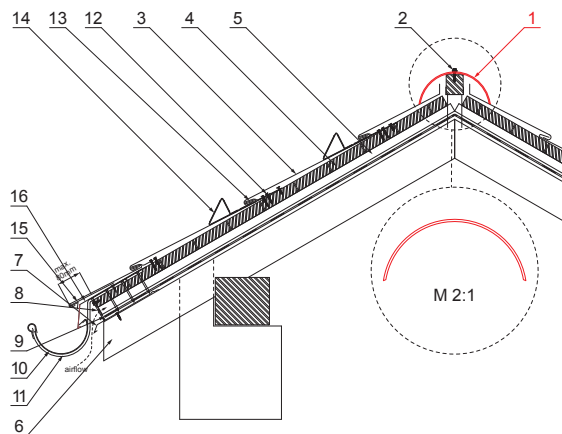
ROOF COVERING RIDGE CAPPING

KRS-PKRSH



DETAIL:

1. roof covering ridge capping
2. farmer screw 4,8x35
3. roof covering KJG rhomboid roof tile
4. roof battens
5. batten
6. rafter
7. drip edge
8. protective ventilation belt
9. foil
10. gutter half-round
11. hook
12. screw with TORX head for clip
13. clip for rhomboid roof tile stainless steel
14. nose snow stopper for rhomboid roof tile
15. base strip
16. cover sheet



MM Galvanized steel prepainted – Metallic copper – RAL extra

INDEX	CHANGE	DATE	SIGNATURE	KJG QUALITY®	Scan code for 3D model	
MATERIAL BRAND			W.C.	WEIGHT kg	SCALE	
SIZE, SEMI-FINISHED PRODUCTS					STN STANDARD	
AUXILIARY EQUIPMENT					SORTING NUMBER	
ELABORATED BY Ing. Kluska M.					NOTE	
TESTED BY					POSITION NUMBER	
TECHNOLOGIST		TECHNOLOGIST		OLD DRAWING	DRAWING NUMBER	
NAME			Roof covering ridge capping		Number of sheets	
					KRS-PKRSH	
					Sheet	

Created: 07.03.2026 11:28:18

Technical changes reserved