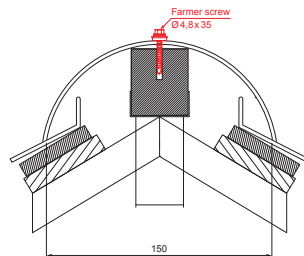
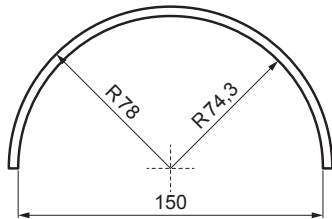
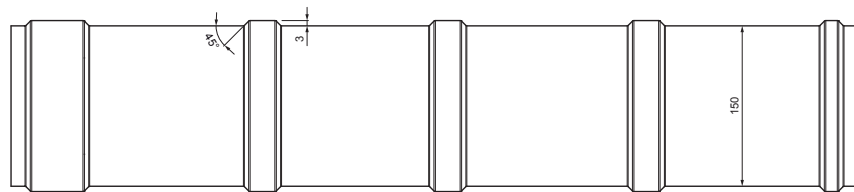
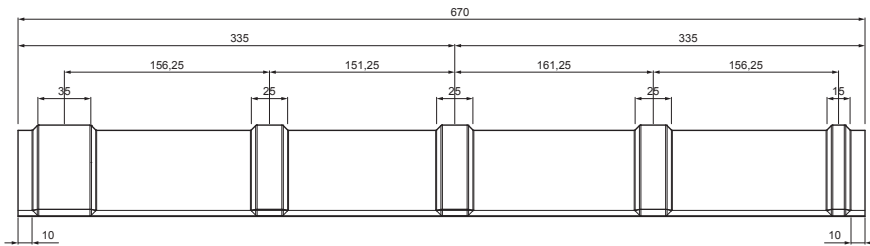


TECHNICAL SHEET

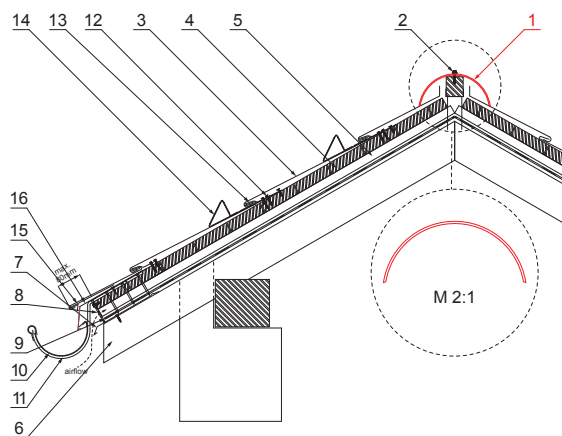
ROOF COVERING RIDGE CAPPING

KRS-PKRSH



DETAIL:

1. roof covering ridge capping
2. farmer screw 4,8x35
3. roof covering KJG rhomboid roof tile
4. roof battens
5. batten
6. rafter
7. drip edge
8. protective ventilation belt
9. foil
10. gutter half-round
11. hook
12. screw with TORX head for clip
13. clip for rhomboid roof tile stainless steel
14. nose snow stopper for rhomboid roof tile
15. base strip
16. cover sheet



OCM Galvanized steel pre-painted MATT – Steel red MATT – RAL 3009

INDEX	CHANGE	DATE	SIGNATURE	KJG QUALITY®	Scan code for 3D model	
MATERIAL BRAND			W.C.	WEIGHT kg	SCALE	
SIZE, SEMI-FINISHED PRODUCTS					STN STANDARD	SORTING NUMBER
AUXILIARY EQUIPMENT					NOTE	
ELABORATED BY Ing. Kluska M.					POSITION NUMBER	
TESTED BY					DRAWING NUMBER	
TECHNOLOGIST			TECHNOLOGIST		OLD DRAWING	DRAWING NUMBER
NAME			Roof covering ridge capping		Number of sheets	KRS-PKRSH Sheet

Created: 04.06.2026 10:54:58

Technical changes reserved