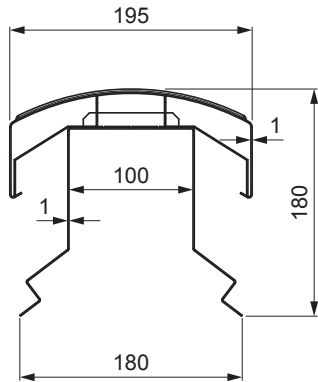
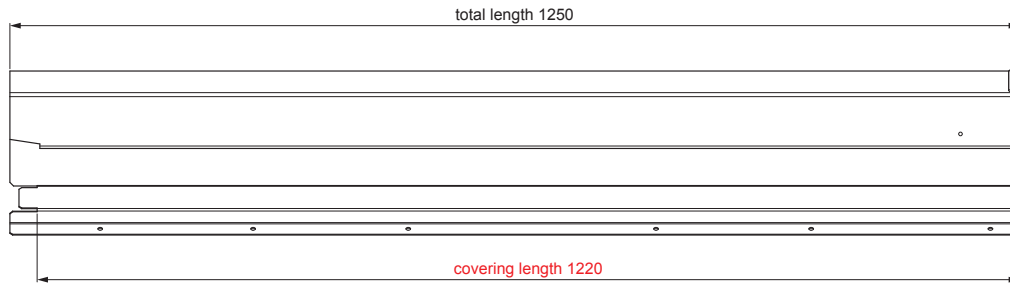


TECHNICAL SHEET

RIDGE VENT UNI I=1,22 m

FALZ-PHREVET



POSSIBLE APPLICATIONS:

- trapezoidal profile TR roof
- roof covering KJG FALZ
- roof covering KJG CLICK system
- roof covering KJG rhomboid roof tile

ADVANTAGES:

- universal usability
- self-supporting labyrinth ventilation opening
- removable cover
- large ventilation cross-section of 300 cm²
- covering length 1 220 mm
- material thickness 1 mm
- practical joining system

DETAIL:



TM Material: Aluminium – Natur
 Color : Galvanized steel pre-painted – Testa di Moro – RAL 8028

INDEX	CHANGE	DATE	SIGNATURE		
MATERIAL BRAND			W.C.	WEIGHT kg	SCALE
SIZE, SEMI-FINISHED PRODUCTS				STN STANDARD	SORTING NUMBER
AUXILIARY EQUIPMENT				NOTE	POSITION NUMBER
ELABORATED BY Ing. Kluska M.					
TESTED BY					
TECHNOLOGIST		TECHNOLOGIST		OLD DRAWING	DRAWING NUMBER
NAME Ridge vent UNI I=1,22 m				Number of sheets	FALZ-PHREVET Sheet

Created: 06.06.2026 06:29:53

Technical changes reserved