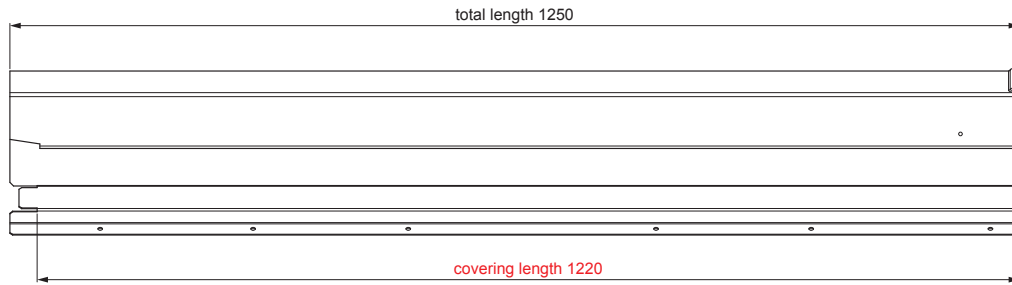


TECHNICAL SHEET

# RIDGE VENT UNI I=1,22 m

# FALZ-PHREVET



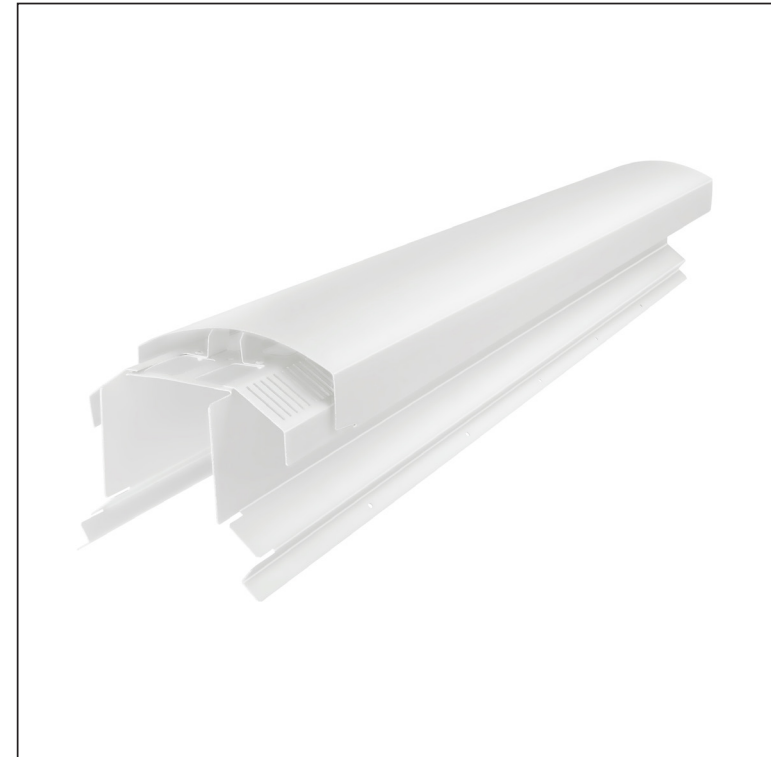
**POSSIBLE APPLICATIONS:**

- trapezoidal profile TR roof
- roof covering KJG FALZ
- roof covering KJG CLICK system
- roof covering KJG rhomboid roof tile




**ADVANTAGES:**

- universal usability
- self-supporting labyrinth ventilation opening
- removable cover
- large ventilation cross-section of 300 cm<sup>2</sup>
- covering length 1 220 mm
- material thickness 1 mm
- practical joining system

**DETAIL:**



**SB** Material: Aluminium – Natur  
Color : Galvanized steel prepainted – Grey white – RAL 9002

INDEX CHANGE		DATE	SIGNATURE		
MATERIAL BRAND			W.C.	WEIGHT kg	SCALE
SIZE, SEMI-FINISHED PRODUCTS				STN STANDARD	SORTING NUMBER
AUXILIARY EQUIPMENT				NOTE	POSITION NUMBER
ELABORATED BY Ing. Kluska M.					
TESTED BY					
TECHNOLOGIST		TECHNOLOGIST		OLD DRAWING	DRAWING NUMBER
NAME Ridge vent UNI I=1,22 m				Number of sheets	FALZ-PHREVET Sheet 

Created: 07.06.2026 01:18:58

Technical changes reserved