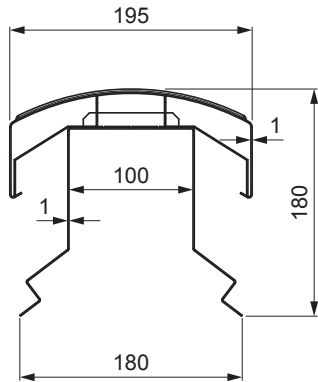
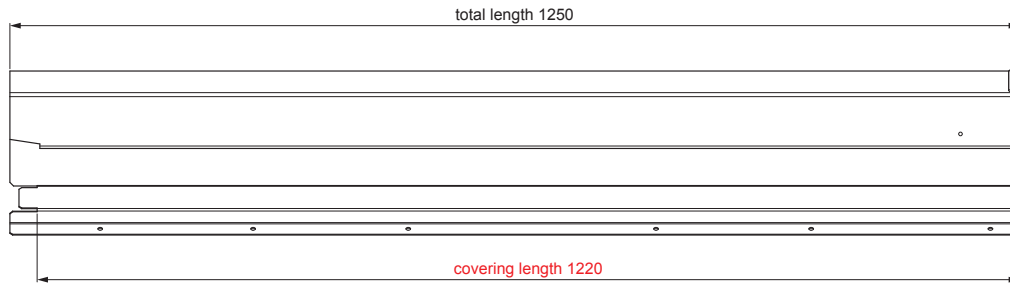


TECHNICAL SHEET

# RIDGE VENT UNI I=1,22 m

# FALZ-PHREVET



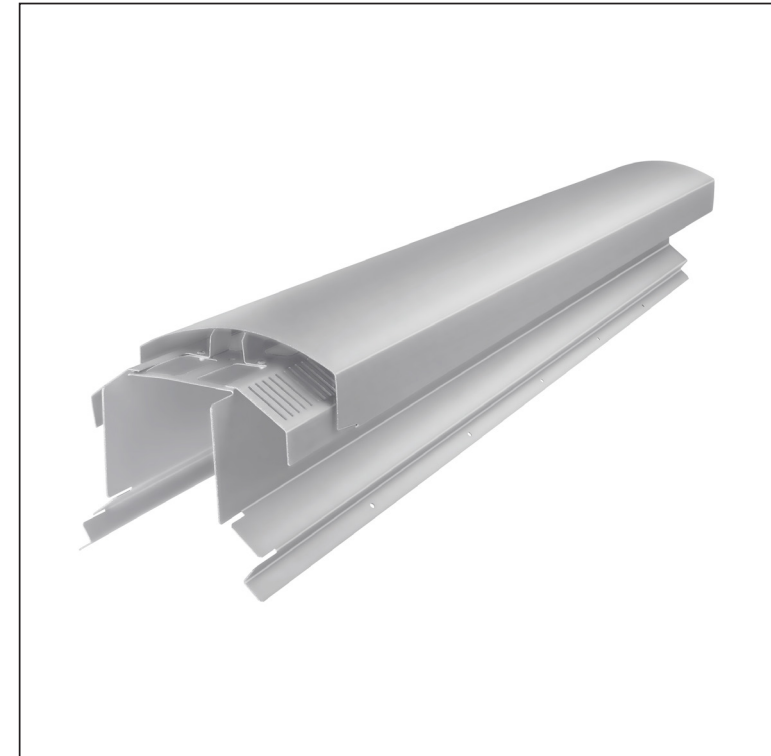
**POSSIBLE APPLICATIONS:**

- trapezoidal profile TR roof
- roof covering KJG FALZ
- roof covering KJG CLICK system
- roof covering KJG rhomboid roof tile




**ADVANTAGES:**

- universal usability
- self-supporting labyrinth ventilation opening
- removable cover
- large ventilation cross-section of 300 cm<sup>2</sup>
- covering length 1 220 mm
- material thickness 1 mm
- practical joining system

**DETAIL:**



**BH** Material: Aluminium – Natur  
Color : Galvanized steel pre-painted – White aluminum – RAL 9006

INDEX	CHANGE	DATE	SIGNATURE			
MATERIAL BRAND			W.C.	WEIGHT kg	SCALE	
SIZE, SEMI-FINISHED PRODUCTS			STN STANDARD		SORTING NUMBER	
AUXILIARY EQUIPMENT			NOTE		POSITION NUMBER	
ELABORATED BY Ing. Kluska M.			OLD DRAWING		DRAWING NUMBER	
TESTED BY			TECHNOLOGIST		DRAWING NUMBER	
TECHNOLOGIST			NAME		DRAWING NUMBER	
			Ridge vent UNI I=1,22 m		Number of sheets	
					FALZ-PHREVET	
					Sheet	

Created: 20.04.2026 16:33:12

Technical changes reserved