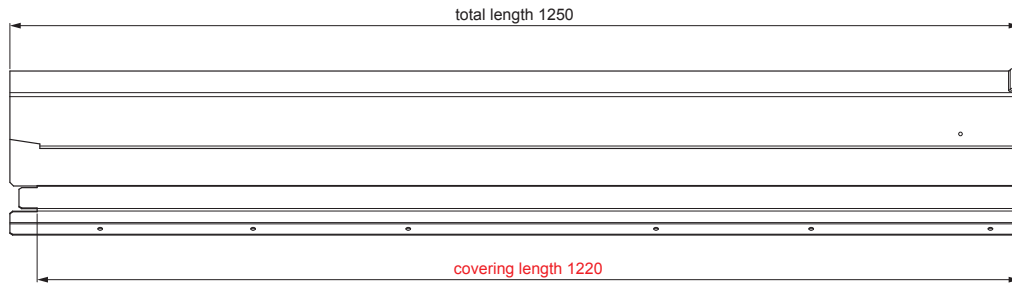


TECHNICAL SHEET

RIDGE VENT UNI I=1,22 m

FALZ-PHREVET



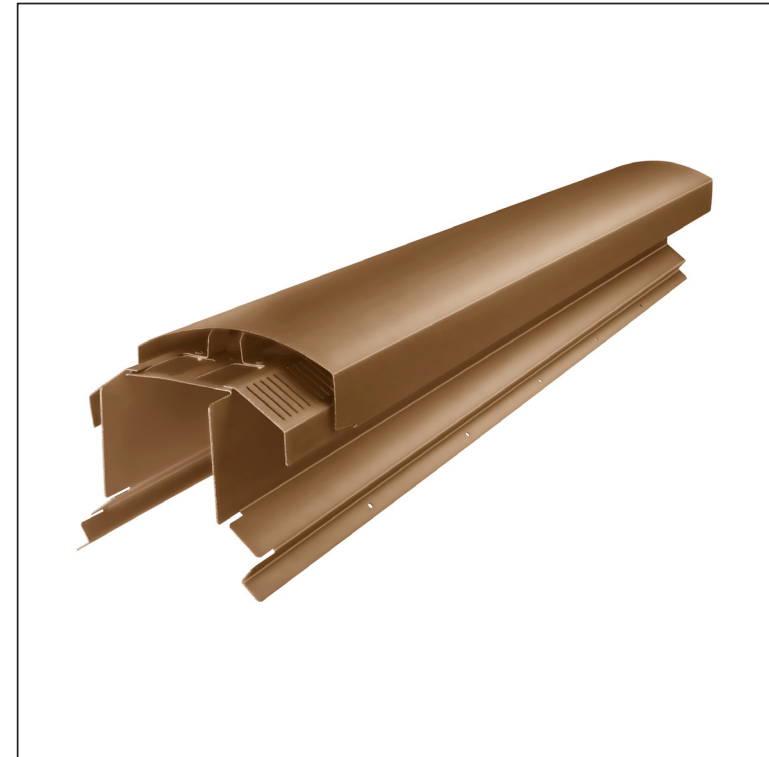
POSSIBLE APPLICATIONS:

- trapezoidal profile TR roof
- roof covering KJG FALZ
- roof covering KJG CLICK system
- roof covering KJG rhomboid roof tile





ADVANTAGES:

- universal usability
- self-supporting labyrinth ventilation opening
- removable cover
- large ventilation cross-section of 300 cm²
- covering length 1 220 mm
- material thickness 1 mm
- practical joining system

DETAIL:



MM Material: Aluminium – Natur
Color : Galvanized steel pre-painted – Metallic copper – RAL extra

INDEX	CHANGE	DATE	SIGNATURE			
MATERIAL BRAND			W.C.	WEIGHT kg	SCALE	
SIZE, SEMI-FINISHED PRODUCTS			STN STANDARD		SORTING NUMBER	
AUXILIARY EQUIPMENT			NOTE		POSITION NUMBER	
ELABORATED BY Ing. Kluska M.						
TESTED BY			OLD DRAWING		DRAWING NUMBER	
TECHNOLOGIST			TECHNOLOGIST			
NAME			Ridge vent UNI I=1,22 m		Number of sheets	
					FALZ-PHREVET	
					Sheet 	

Created: 07.06.2026 04:47:54

Technical changes reserved