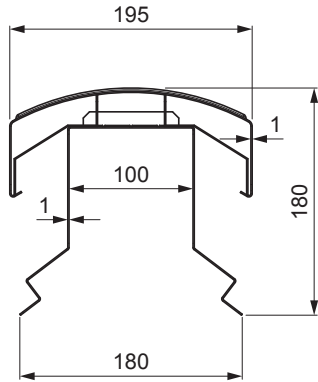
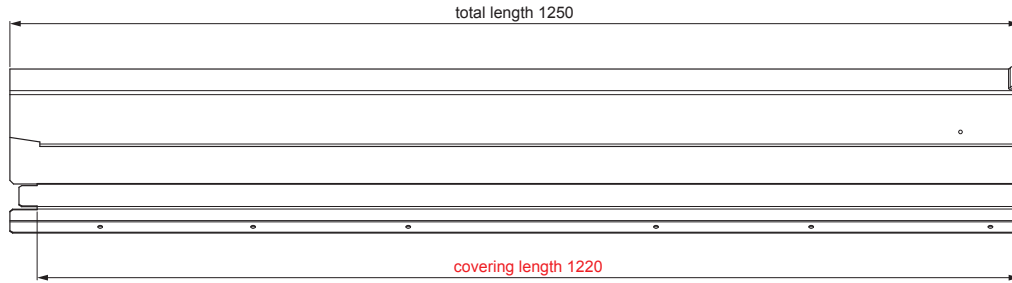


TECHNICAL SHEET

RIDGE VENT UNI I=1,22 m

FALZ-PHREVET



POSSIBLE APPLICATIONS:

- trapezoidal profile TR roof
- roof covering KJG FALZ
- roof covering KJG CLICK system
- roof covering KJG rhomboid roof tile




ADVANTAGES:

- universal usability
- self-supporting labyrinth ventilation opening
- removable cover
- large ventilation cross-section of 300 cm²
- covering length 1 220 mm
- material thickness 1 mm
- practical joining system

DETAIL:



MZ Material: Aluminium – Natur
Color : Galvanized steel pre-painted – Moss green – RAL 6005

INDEX	CHANGE	DATE	SIGNATURE			
MATERIAL BRAND			W.C.	WEIGHT kg	SCALE	
SIZE, SEMI-FINISHED PRODUCTS				STN STANDARD	SORTING NUMBER	
AUXILIARY EQUIPMENT				NOTE	POSITION NUMBER	
ELABORATED BY Ing. Kluska M.						
TESTED BY						
TECHNOLOGIST		TECHNOLOGIST		OLD DRAWING	DRAWING NUMBER	
NAME						
Ridge vent UNI I=1,22 m				Number of sheets	FALZ-PHREVET Sheet	

Created: 04.06.2026 18:30:00

Technical changes reserved