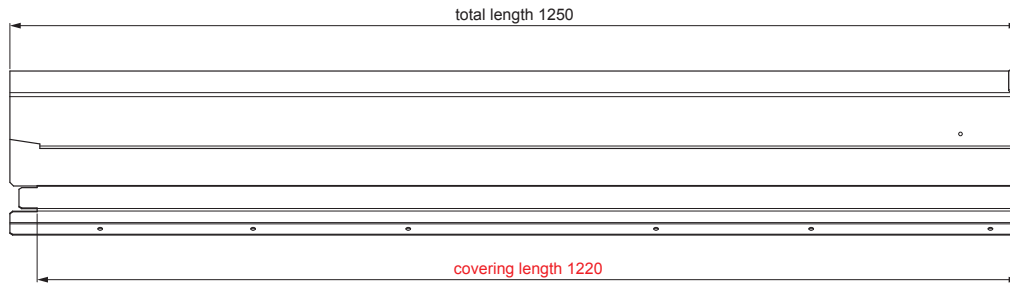


TECHNICAL SHEET

RIDGE VENT UNI I=1,22 m

FALZ-WHREVET



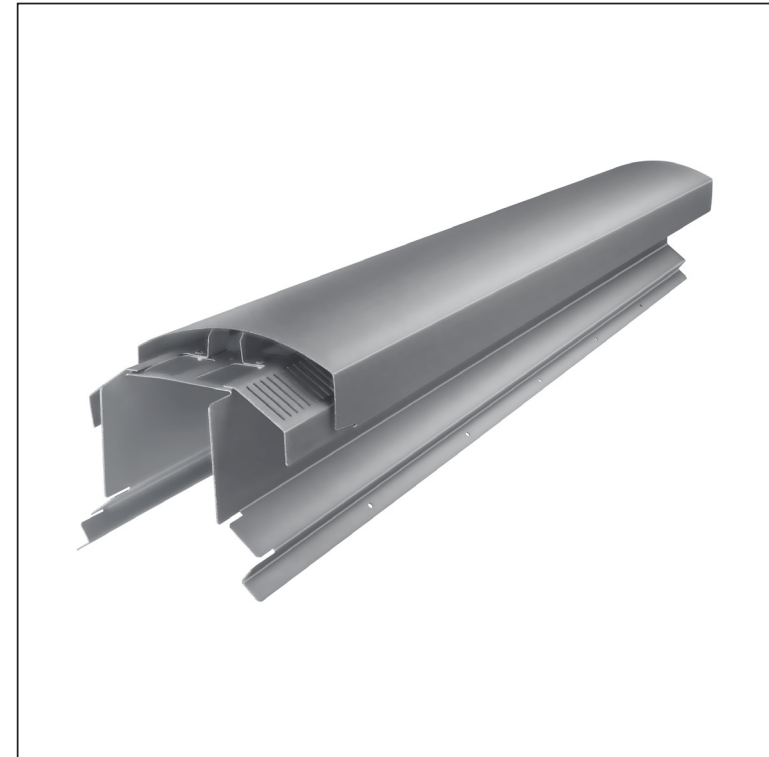
POSSIBLE APPLICATIONS:

- trapezoidal profile TR roof
- roof covering KJG FALZ
- roof covering KJG CLICK system
- roof covering KJG rhomboid roof tile

ADVANTAGES:

- universal usability
- self-supporting labyrinth ventilation opening
- removable cover
- large ventilation cross-section of 300 cm²
- covering length 1 220 mm
- material thickness 1 mm
- practical joining system

DETAIL:



SS Aluminium pre-painted – Mouse grey – RAL 7005

INDEX	CHANGE	DATE	SIGNATURE	KJG QUALITY®	Scan code for 3D model	
MATERIAL BRAND			W.C.	WEIGHT kg	SCALE	
SIZE, SEMI-FINISHED PRODUCTS				STN STANDARD	SORTING NUMBER	
AUXILIARY EQUIPMENT				NOTE	POSITION NUMBER	
ELABORATED BY Ing. Kluska M.						
TESTED BY						
TECHNOLOGIST		TECHNOLOGIST		OLD DRAWING	DRAWING NUMBER	
NAME Ridge vent UNI I=1,22 m				Number of sheets	FALZ-WHREVET Sheet	

Created: 07.06.2026 02:15:22

Technical changes reserved