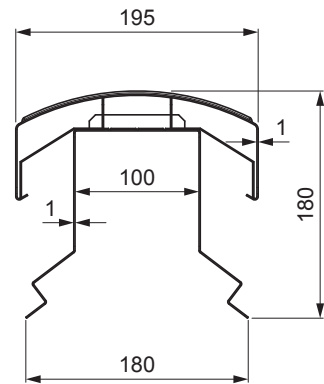
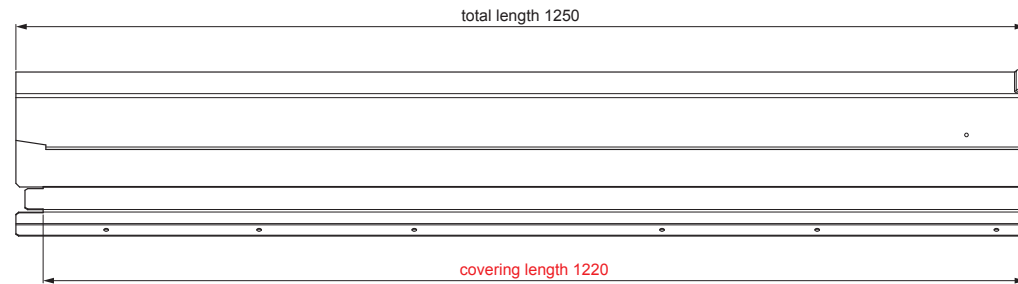


TECHNICAL SHEET

RIDGE VENT UNI I=1,22 m



POSSIBLE APPLICATIONS:

- trapezoidal profile TR roof
- roof covering KJG FALZ
- roof covering KJG CLICK system
- roof covering KJG rhomboid roof tile

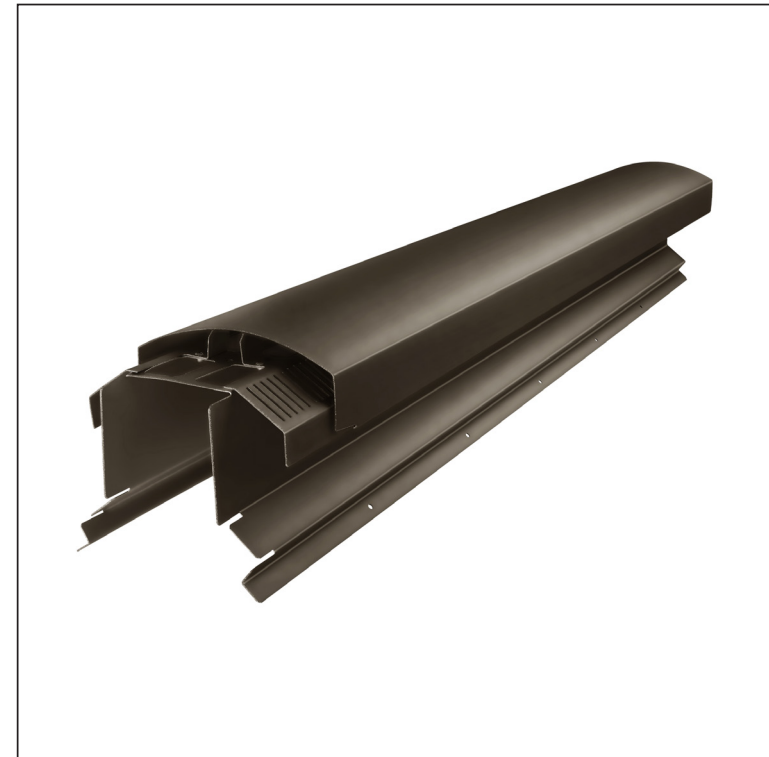
ADVANTAGES:

- universal usability
- self-supporting labyrinth ventilation opening
- removable cover
- large ventilation cross-section of 300 cm²
- covering length 1 220 mm
- material thickness 1 mm
- practical joining system





DETAIL:



FALZ-WHREVET



ZH Aluminium pre-painted – Brown grey – RAL 7013

INDEX	CHANGE	DATE	SIGNATURE			
MATERIAL BRAND			W.C.	WEIGHT kg	SCALE	
SIZE, SEMI-FINISHED PRODUCTS				STN STANDARD	SORTING NUMBER	
AUXILIARY EQUIPMENT				NOTE	POSITION NUMBER	
ELABORATED BY Ing. Kluska M.						
TESTED BY						
TECHNOLOGIST		TECHNOLOGIST		OLD DRAWING	DRAWING NUMBER	
NAME				Number of sheets FALZ-WHREVET Sheet 		
Ridge vent UNI I=1,22 m						

Created: 05.06.2026 05:28:24

Technical changes reserved