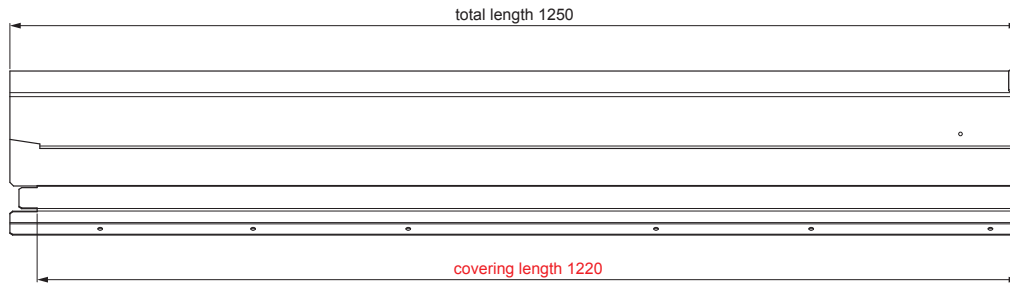


TECHNICAL SHEET

# RIDGE VENT UNI I=1,22 m

# FALZ-WHREVET



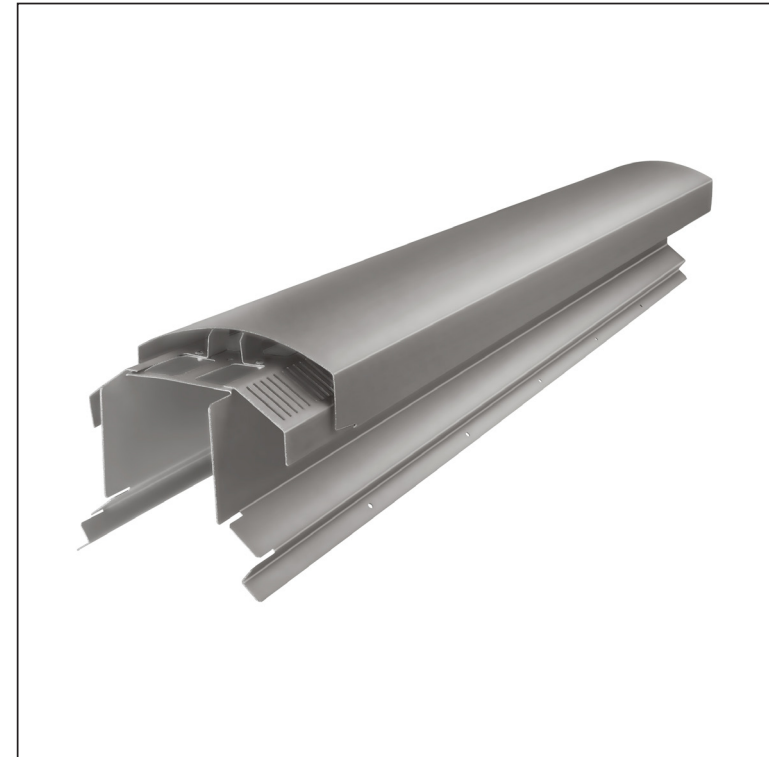
**POSSIBLE APPLICATIONS:**

- trapezoidal profile TR roof
- roof covering KJG FALZ
- roof covering KJG CLICK system
- roof covering KJG rhomboid roof tile





**ADVANTAGES:**

- universal usability
- self-supporting labyrinth ventilation opening
- removable cover
- large ventilation cross-section of 300 cm<sup>2</sup>
- covering length 1 220 mm
- material thickness 1 mm
- practical joining system

**DETAIL:**



**BHT** Aluminium pre-painted – Grey aluminum – RAL 9007

INDEX	CHANGE	DATE	SIGNATURE			
MATERIAL BRAND			W.C.	WEIGHT kg	SCALE	
SIZE, SEMI-FINISHED PRODUCTS			STN STANDARD		SORTING NUMBER	
AUXILIARY EQUIPMENT			NOTE		POSITION NUMBER	
ELABORATED BY Ing. Kluska M.			OLD DRAWING		DRAWING NUMBER	
TESTED BY			TECHNOLOGIST		DRAWING NUMBER	
NAME			Ridge vent UNI I=1,22 m		Number of sheets <b>FALZ-WHREVET</b> Sheet 	

Created: 05.06.2026 08:02:00

Technical changes reserved