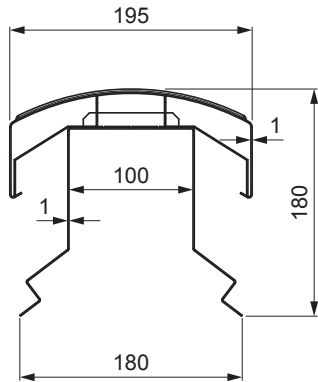
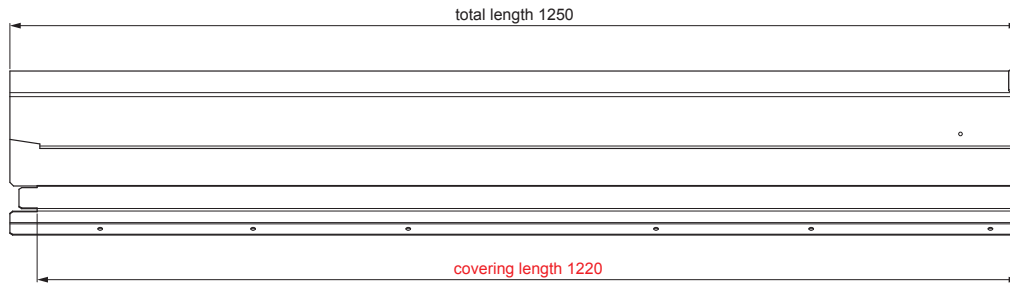


TECHNICAL SHEET

RIDGE VENT UNI I=1,22 m

FALZ-WHREVET



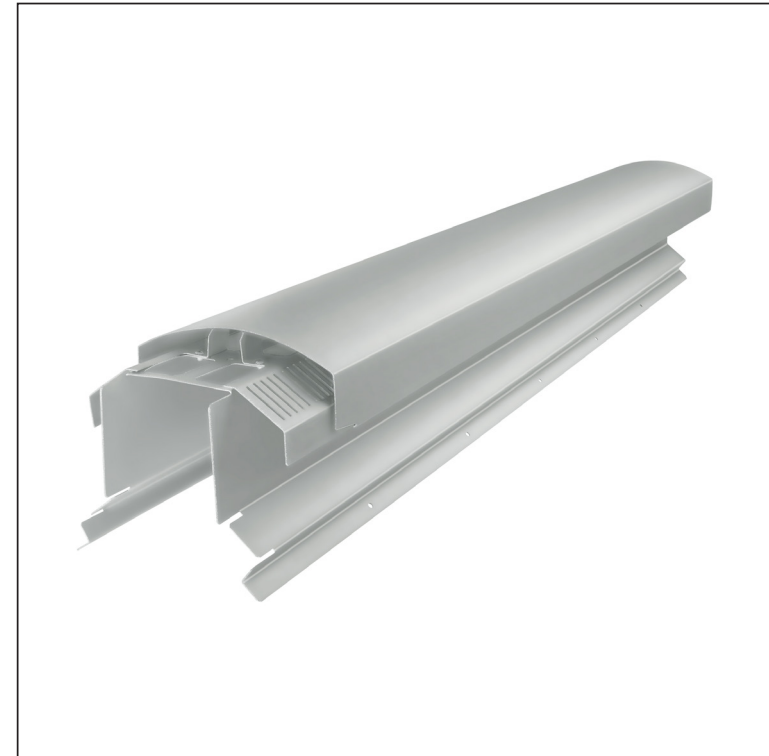
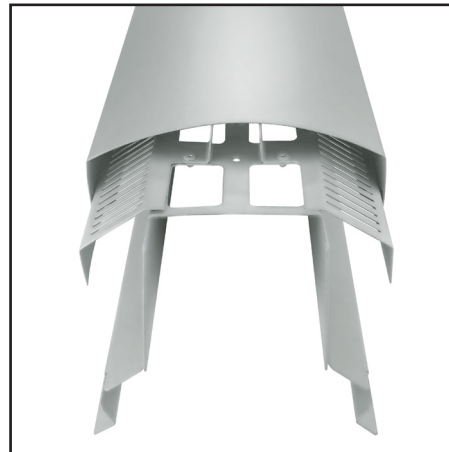
POSSIBLE APPLICATIONS:

- trapezoidal profile TR roof
- roof covering KJG FALZ
- roof covering KJG CLICK system
- roof covering KJG rhomboid roof tile





ADVANTAGES:

- universal usability
- self-supporting labyrinth ventilation opening
- removable cover
- large ventilation cross-section of 300 cm²
- covering length 1 220 mm
- material thickness 1 mm
- practical joining system

DETAIL:



ZS Aluminium pre-painted – Zinc grey – RAL extra

INDEX	CHANGE	DATE	SIGNATURE			
MATERIAL BRAND			W.C.	WEIGHT kg	SCALE	
SIZE, SEMI-FINISHED PRODUCTS						
AUXILIARY EQUIPMENT				STN STANDARD	SORTING NUMBER	
ELABORATED BY Ing. Kluska M.				NOTE	POSITION NUMBER	
TESTED BY						
TECHNOLOGIST		TECHNOLOGIST		OLD DRAWING	DRAWING NUMBER	
NAME				Number of sheets FALZ-WHREVET Sheet 		
Ridge vent UNI I=1,22 m						

Created: 06.06.2026 02:54:01

Technical changes reserved