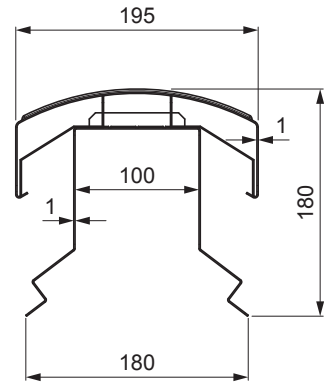
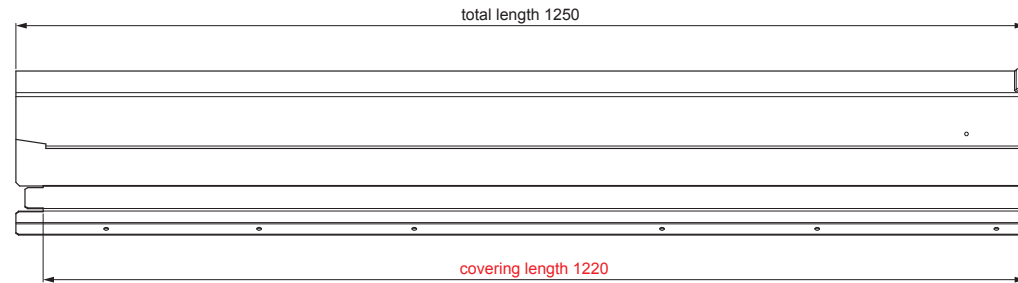


TECHNICAL SHEET

# RIDGE VENT UNI I=1,22 m



**POSSIBLE APPLICATIONS:**

- trapezoidal profile TR roof
- roof covering KJG FALZ
- roof covering KJG CLICK system
- roof covering KJG rhomboid roof tile

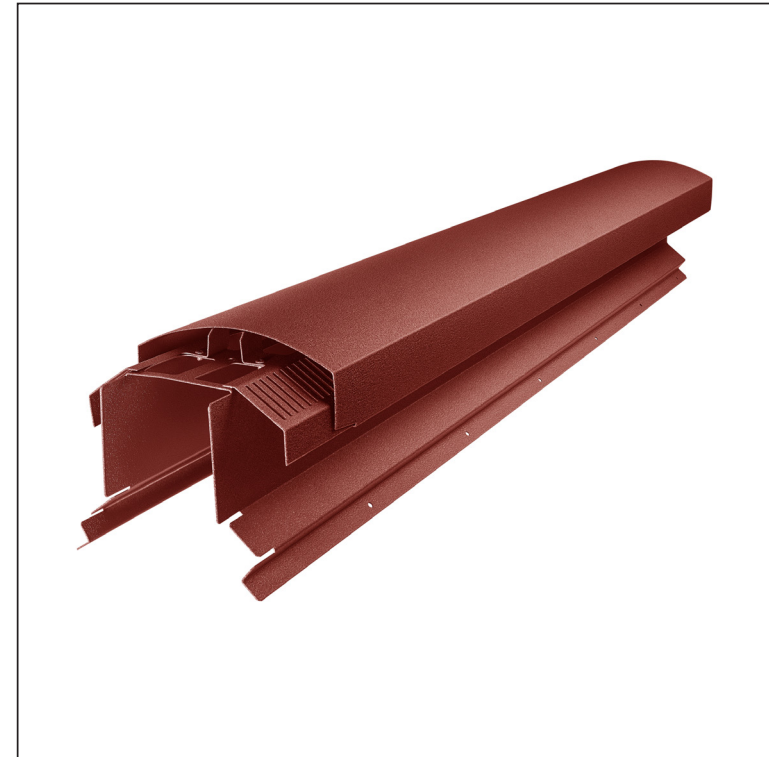
**ADVANTAGES:**

- universal usability
- self-supporting labyrinth ventilation opening
- removable cover
- large ventilation cross-section of 300 cm<sup>2</sup>
- covering length 1 220 mm
- material thickness 1 mm
- practical joining system

**DETAIL:**



# FALZ-W.15HREVET



**OCM** Aluminium pre-painted W.15 – Steel red W.15 – RAL 3009

INDEX	CHANGE	DATE	SIGNATURE	<b>KJG</b> QUALITY®	Scan code for 3D model	
MATERIAL BRAND			W.C.	WEIGHT kg	SCALE	
SIZE, SEMI-FINISHED PRODUCTS				STN STANDARD	SORTING NUMBER	
AUXILIARY EQUIPMENT				NOTE	POSITION NUMBER	
ELABORATED BY Ing. Kluska M.						
TESTED BY						
TECHNOLOGIST		TECHNOLOGIST		OLD DRAWING	DRAWING NUMBER	
NAME <b>Ridge vent UNI I=1,22 m</b>				Number of sheets	<b>FALZ-W.15HREVET</b> Sheet	

Created: 06.06.2026 05:43:37

Technical changes reserved