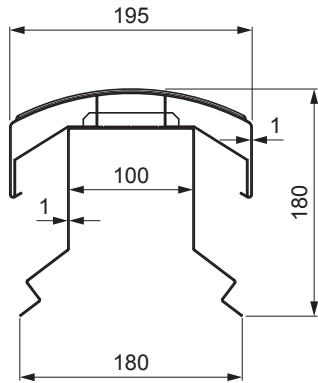
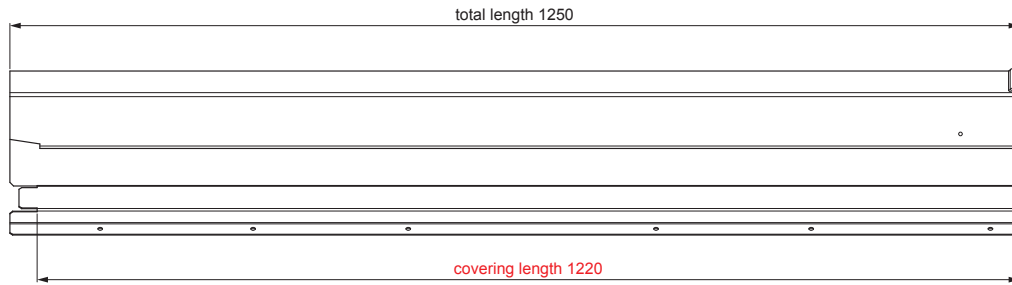


TECHNICAL SHEET

RIDGE VENT UNI I=1,22 m



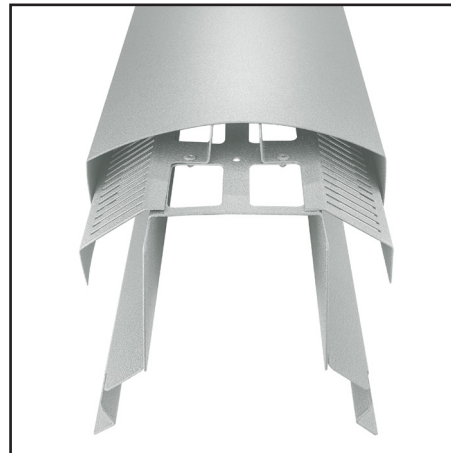
POSSIBLE APPLICATIONS:

- trapezoidal profile TR roof
- roof covering KJG FALZ
- roof covering KJG CLICK system
- roof covering KJG rhomboid roof tile

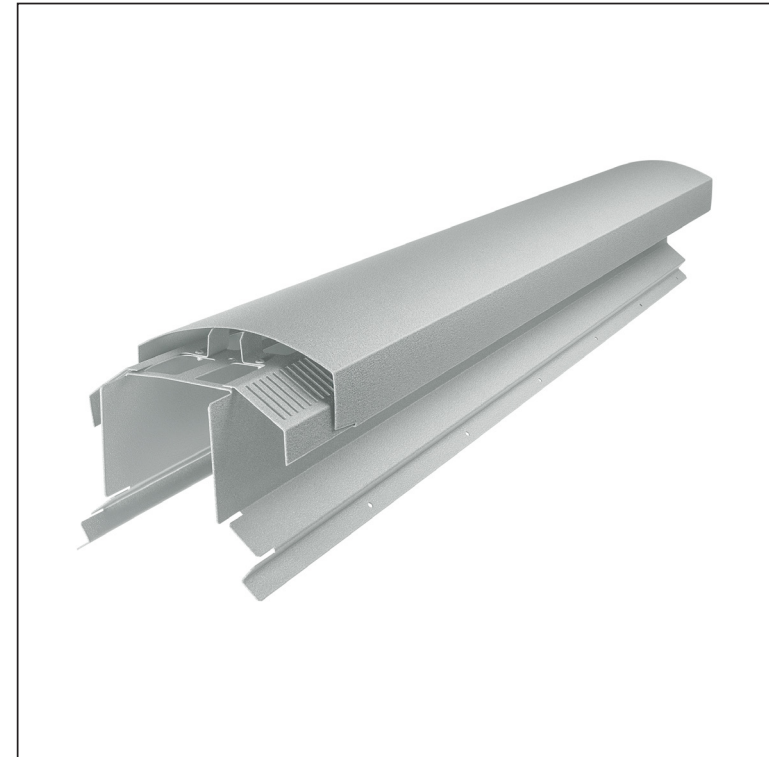
ADVANTAGES:

- universal usability
- self-supporting labyrinth ventilation opening
- removable cover
- large ventilation cross-section of 300 cm²
- covering length 1 220 mm
- material thickness 1 mm
- practical joining system



DETAIL:



FALZ-W.15HREVET



ZSM Aluminium pre-painted W.15 – Zinc grey W.15 – RAL extra

INDEX	CHANGE	DATE	SIGNATURE		
MATERIAL BRAND			W.C.	WEIGHT kg	SCALE
SIZE, SEMI-FINISHED PRODUCTS					
AUXILIARY EQUIPMENT				STN STANDARD	SORTING NUMBER
ELABORATED BY Ing. Kluska M.				NOTE	POSITION NUMBER
TESTED BY					
TECHNOLOGIST		TECHNOLOGIST		OLD DRAWING	DRAWING NUMBER
NAME				Number of sheets	
Ridge vent UNI I=1,22 m				FALZ-W.15HREVET Sheet	

Created: 04.06.2026 01:37:31

Technical changes reserved