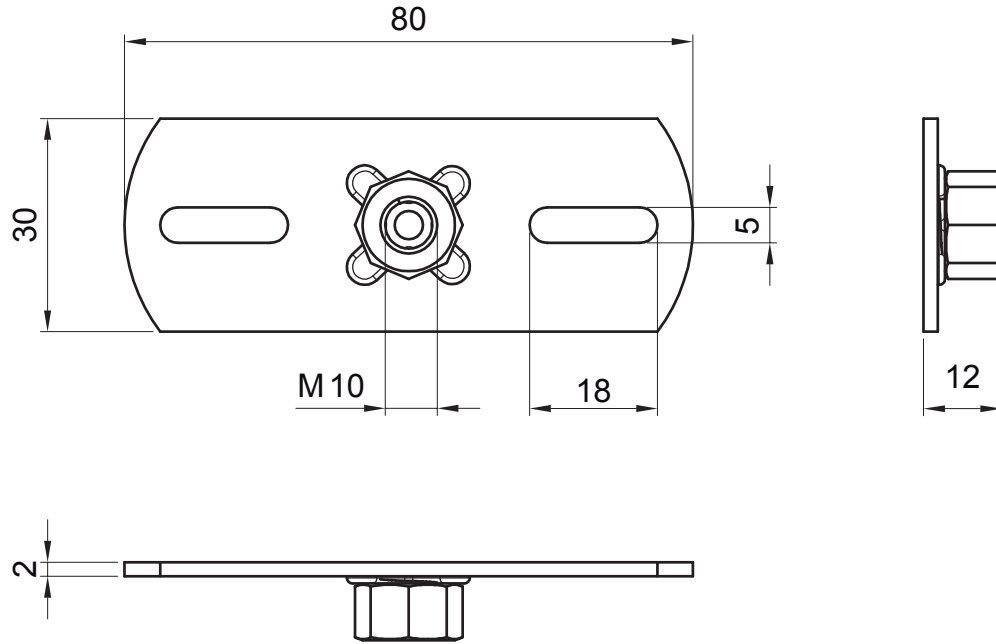





TECHNICAL SHEET

DOWNPIPE BRACKET MOUNTING PLATE M10

P-POB-ZT MP



P Galvanized steel – Natur

INDEX	CHANGE	DATE	SIGNATURE		
MATERIAL BRAND			W.C.	WEIGHT kg	SCALE
SIZE, SEMI-FINISHED PRODUCTS				STN STANDARD	SORTING NUMBER
AUXILIARY EQUIPMENT				NOTE	POSITION NUMBER
ELABORATED BY Ing. Kluska M.				OLD DRAWING	DRAWING NUMBER
TESTED BY			TECHNOLOGIST		
NAME			Downpipe bracket mounting plate M10		Number of sheets
					P-POB-ZT MP Sheet 

Created: 04.06.2026 20:06:01

Technical changes reserved