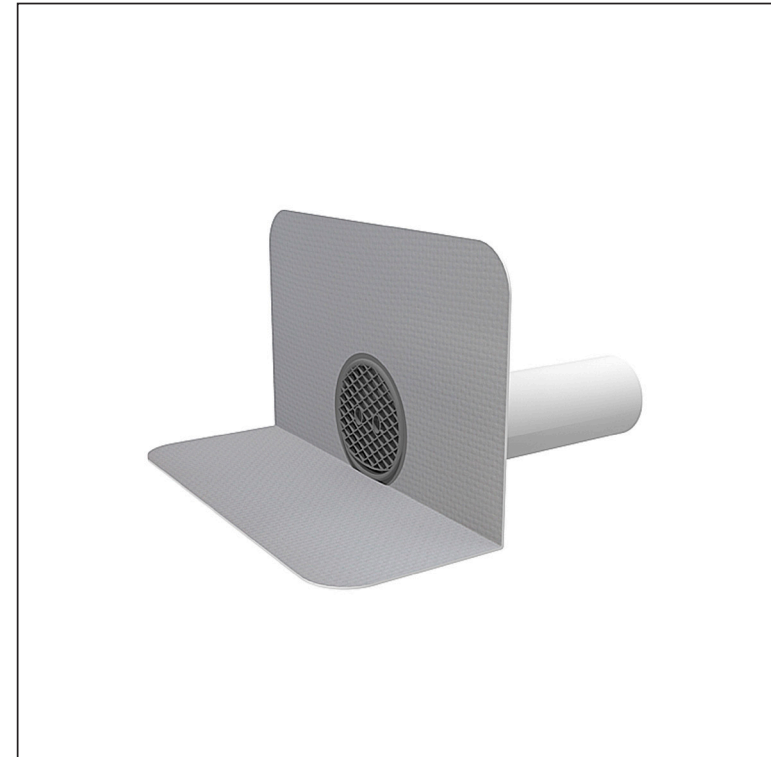
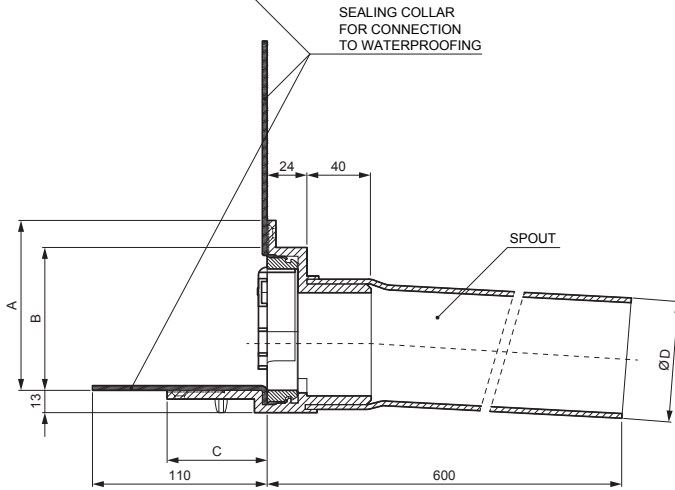
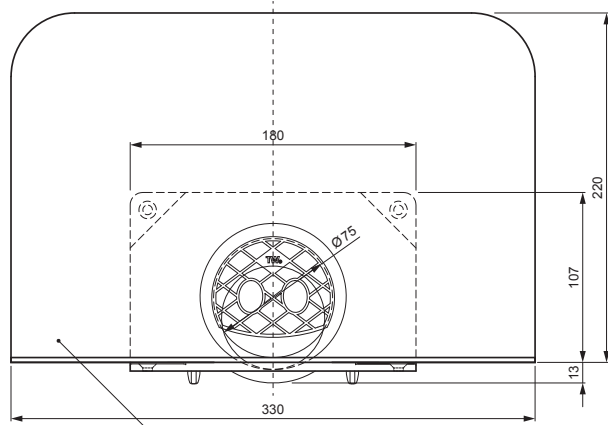





TECHNICAL SHEET

PVC ROUND SPOUT WITH SEALING COLLAR

TWS-TWC P



B PVC – Pure white – RAL 9010

INDEX	CHANGE	DATE	SIGNATURE	 	
MATERIAL BRAND			W.C.	WEIGHT kg	SCALE
SIZE, SEMI-FINISHED PRODUCTS				STN STANDARD	SORTING NUMBER
AUXILIARY EQUIPMENT				NOTE	POSITION NUMBER
ELABORATED BY Ing. Kluska M.					
TESTED BY		TECHNOLOGIST		OLD DRAWING	DRAWING NUMBER
NAME PVC round spout with sealing collar				Number of sheets	TWS-TWC P Sheet 

Created: 03.06.2026 23:12:58

Technical changes reserved

Dimensions [mm]				
Nominal dimension	A	B	C	D
DN 70	107	90	62	70
DN 100	174	157	60	100
DN 125	174	157	60	125