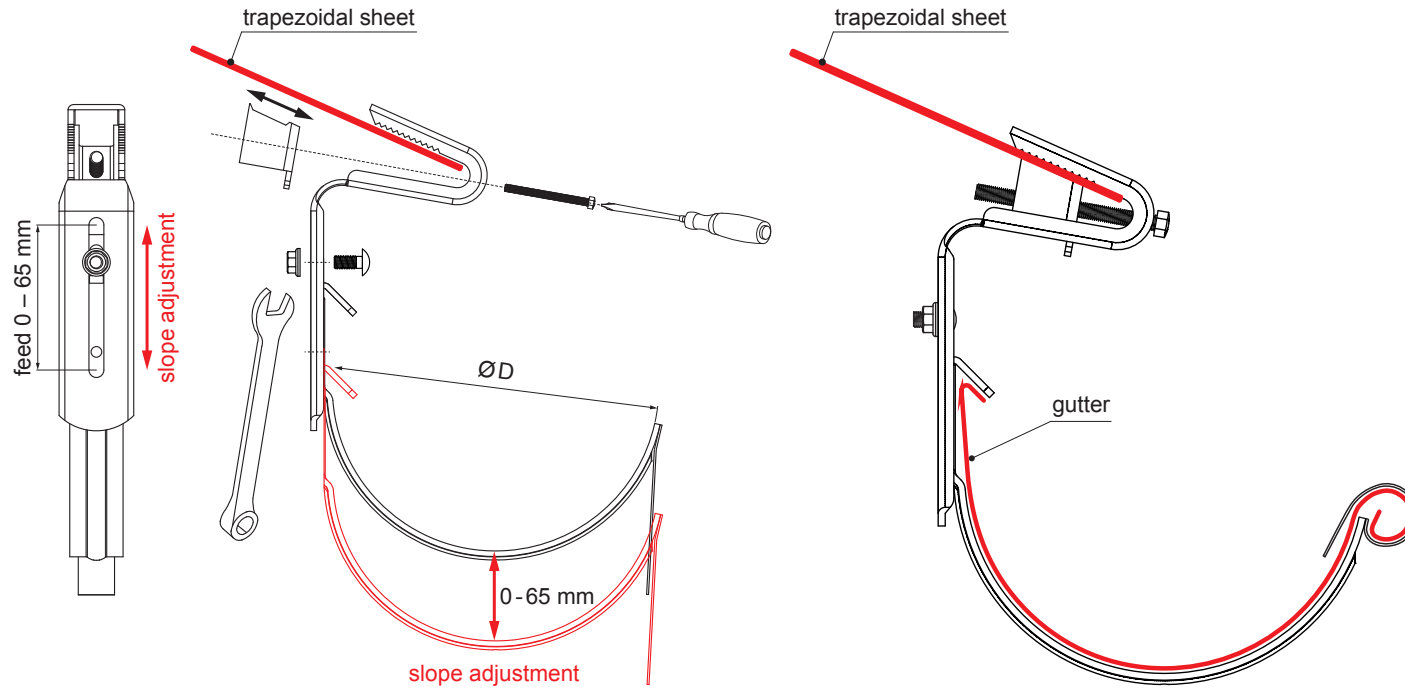


TECHNICAL SHEET





ROOF HOOK FOR TRAPEZOIDAL SHEET PROFILE

P-PHPTW



P Galvanized steel – Natur

Dimensions [mm]	
Nominal dimension	Ø D
250	105
333	153
400	192

INDEX	CHANGE	DATE	SIGNATURE	  	
MATERIAL BRAND			W.C.	WEIGHT kg	SCALE
SIZE, SEMI-FINISHED PRODUCTS				STN STANDARD	SORTING NUMBER
AUXILIARY EQUIPMENT				NOTE	POSITION NUMBER
ELABORATED BY Ing. Kluska M.				OLD DRAWING	DRAWING NUMBER
TESTED BY					
TECHNOLOGIST			TECHNOLOGIST		
NAME			Roof hook for trapezoidal sheet profile		
			Number of sheets	P-PHPTW	Sheet 

Created: 04.06.2026 10:46:21

Technical changes reserved