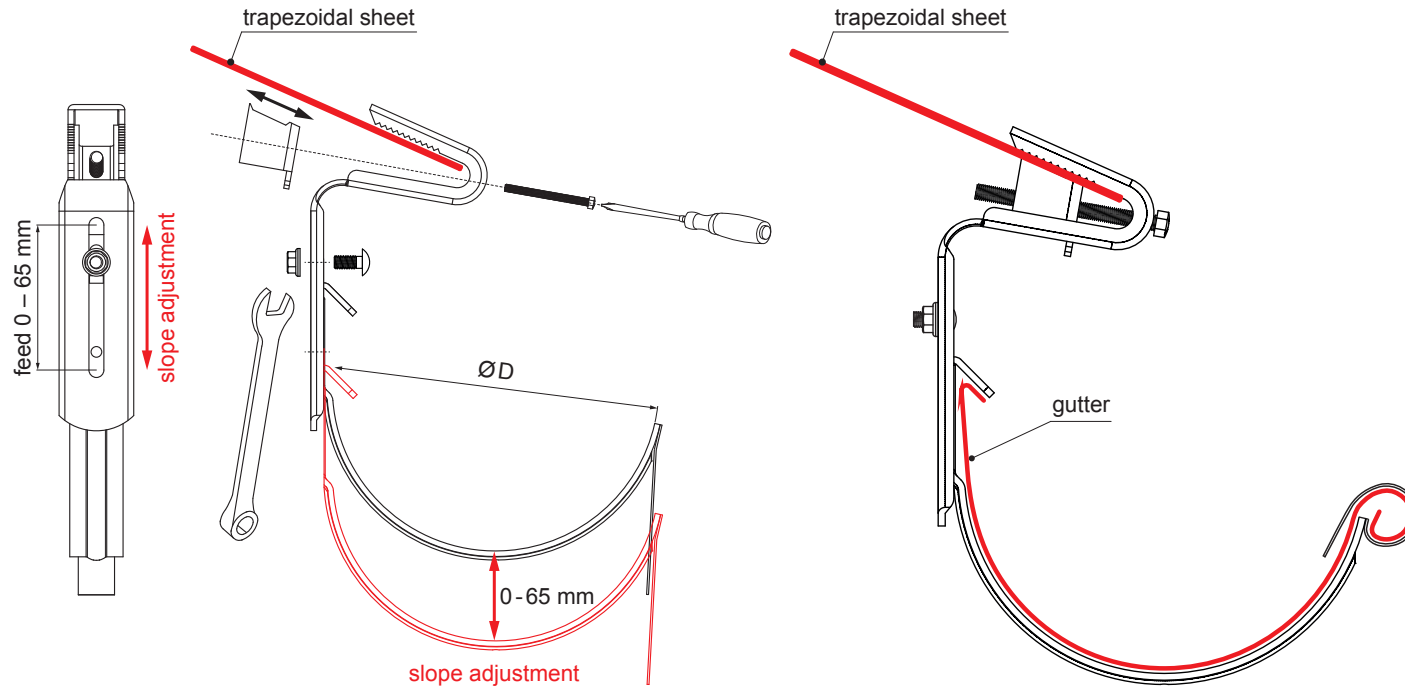


TECHNICAL SHEET

ROOF HOOK FOR TRAPEZOIDAL SHEET PROFILE

P-PHPTW



IC Galvanized steel pre-painted
- Intense black - RAL 9005

Dimensions [mm]	
Nominal dimension	Ø D
250	105
333	153
400	192

INDEX	CHANGE	DATE	SIGNATURE	KJG QUALITY®	Scan code for 3D model
MATERIAL BRAND			W.C.	WEIGHT kg	SCALE
SIZE, SEMI-FINISHED PRODUCTS				STN STANDARD	SORTING NUMBER
AUXILIARY EQUIPMENT				NOTE	POSITION NUMBER
ELABORATED BY Ing. Kluska M.					
TESTED BY					
TECHNOLOGIST		TECHNOLOGIST		OLD DRAWING	DRAWING NUMBER
NAME			Roof hook for trapezoidal sheet profile		
			Number of sheets	P-PHPTW	Sheet

Created: 06.06.2026 10:06:55

Technical changes reserved