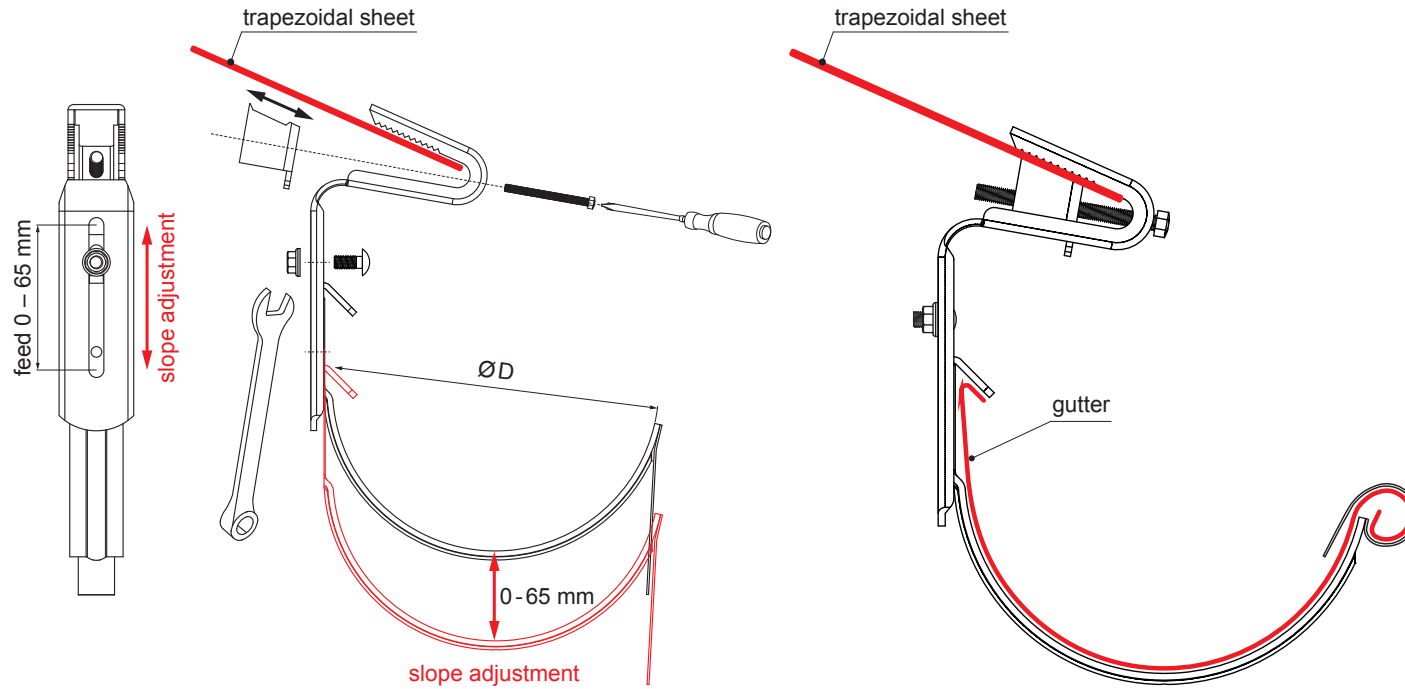


TECHNICAL SHEET

ROOF HOOK FOR TRAPEZOIDAL SHEET PROFILE

P-PHPTW



OC Galvanized steel pre-painted
- Steel red - RAL 3009

Dimensions [mm]	
Nominal dimension	Ø D
250	105
333	153
400	192

INDEX	CHANGE	DATE	SIGNATURE	KJG QUALITY®	Scan code for 3D model	
MATERIAL BRAND			W.C.	WEIGHT kg	SCALE	
SIZE, SEMI-FINISHED PRODUCTS				STN STANDARD	SORTING NUMBER	
AUXILIARY EQUIPMENT				NOTE	POSITION NUMBER	
ELABORATED BY Ing. Kluska M.						
TESTED BY						
TECHNOLOGIST		TECHNOLOGIST		OLD DRAWING	DRAWING NUMBER	
NAME			Roof hook for trapezoidal sheet profile		Number of sheets	P-PHPTW Sheet

Created: 06.06.2026 20:52:54

Technical changes reserved