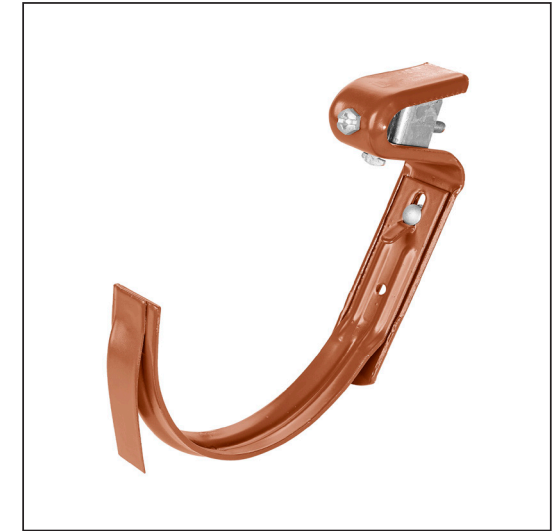
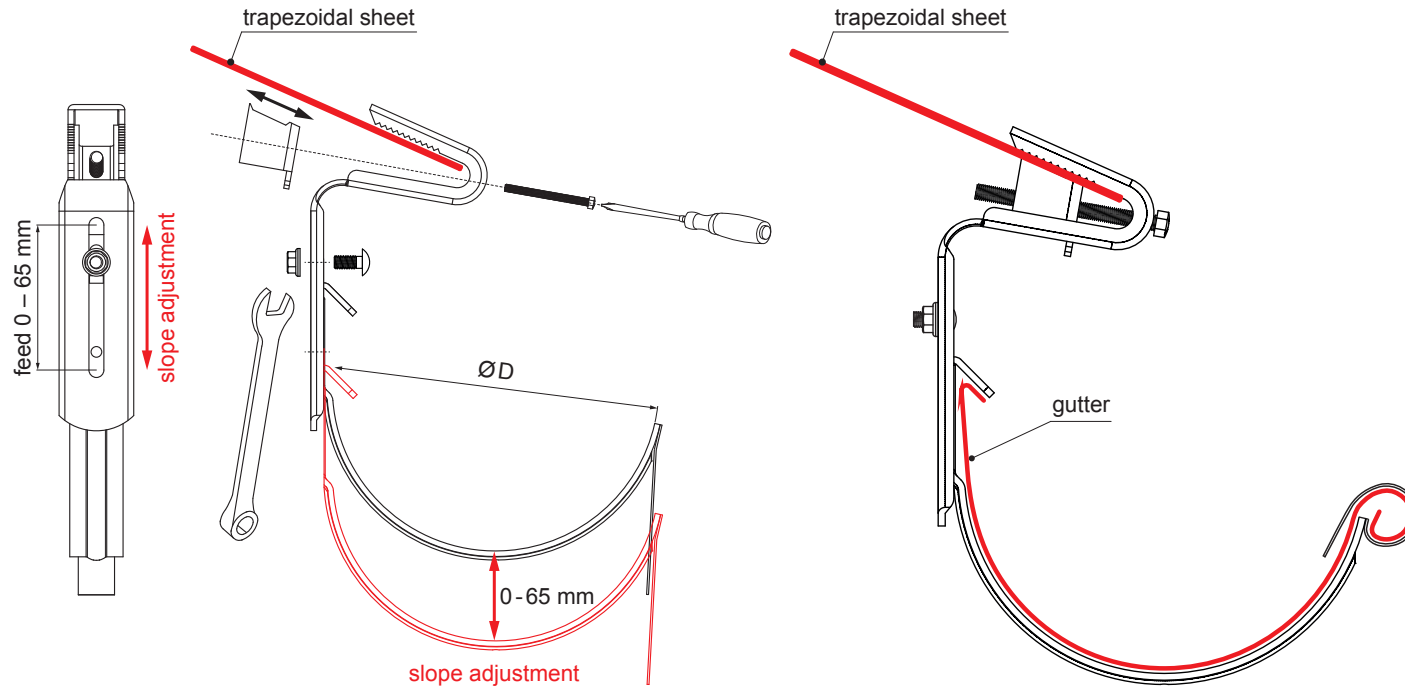


TECHNICAL SHEET

# ROOF HOOK FOR TRAPEZOIDAL SHEET PROFILE

# P-PHPTW



**MH** Galvanized steel pre-painted  
- Copper brown - RAL 8004

Dimensions [mm]	
Nominal dimension	Ø D
250	105
333	153
400	192

INDEX	CHANGE	DATE	SIGNATURE	<b>KJG</b> QUALITY®	Scan code for 3D model	
MATERIAL BRAND			W.C.	WEIGHT kg	SCALE	
SIZE, SEMI-FINISHED PRODUCTS				STN STANDARD	SORTING NUMBER	
AUXILIARY EQUIPMENT				NOTE	POSITION NUMBER	
ELABORATED BY Ing. Kluska M.						
TESTED BY						
TECHNOLOGIST		TECHNOLOGIST		OLD DRAWING	DRAWING NUMBER	
NAME				Roof hook for trapezoidal sheet profile		
				Number of sheets	P-PHPTW Sheet	

Created: 07.06.2026 08:42:39

Technical changes reserved