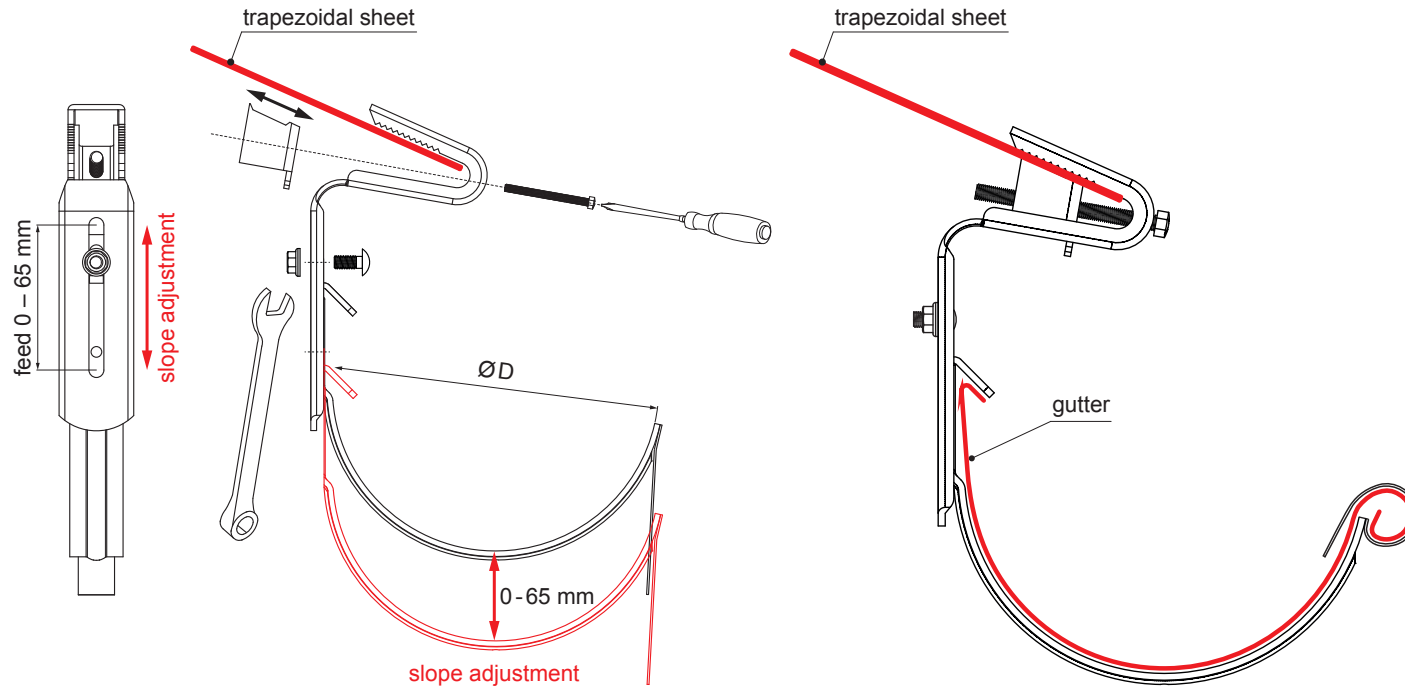


TECHNICAL SHEET

ROOF HOOK FOR TRAPEZOIDAL SHEET PROFILE

P-PHPTW



SB Galvanized steel pre-painted
- Grey white - RAL 9002

Dimensions [mm]	
Nominal dimension	Ø D
250	105
333	153
400	192

INDEX	CHANGE	DATE	SIGNATURE	KJG QUALITY®	Scan code for 3D model	
MATERIAL BRAND			W.C.	WEIGHT kg	SCALE	
SIZE, SEMI-FINISHED PRODUCTS				STN STANDARD	SORTING NUMBER	
AUXILIARY EQUIPMENT				NOTE	POSITION NUMBER	
ELABORATED BY Ing. Kluska M.				OLD DRAWING	DRAWING NUMBER	
TESTED BY			TECHNOLOGIST			
NAME			Roof hook for trapezoidal sheet profile		Number of sheets	P-PHPTW Sheet

Created: 07.06.2026 09:26:32

Technical changes reserved