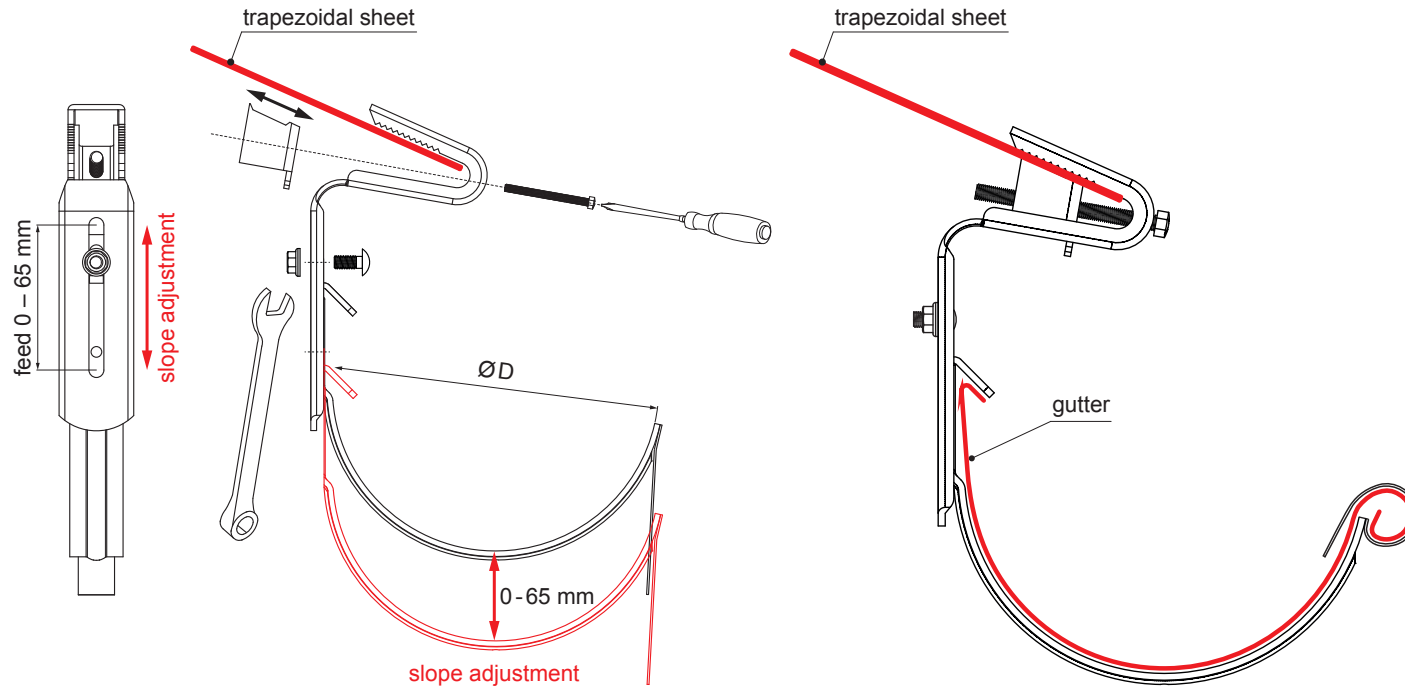


TECHNICAL SHEET

ROOF HOOK FOR TRAPEZOIDAL SHEET PROFILE

P-PHPTW



BH Galvanized steel pre-painted
- White aluminum - RAL 9006

Dimensions [mm]	
Nominal dimension	Ø D
250	105
333	153
400	192

INDEX	CHANGE	DATE	SIGNATURE	KJG QUALITY®	Scan code for 3D model
MATERIAL BRAND			W.C.	WEIGHT kg	SCALE
SIZE, SEMI-FINISHED PRODUCTS				STN STANDARD	SORTING NUMBER
AUXILIARY EQUIPMENT				NOTE	POSITION NUMBER
ELABORATED BY Ing. Kluska M.				OLD DRAWING	DRAWING NUMBER
TESTED BY					
TECHNOLOGIST		TECHNOLOGIST		Number of sheets	P-PHPTW Sheet
NAME			Roof hook for trapezoidal sheet profile		

Created: 07.06.2026 01:56:59

Technical changes reserved