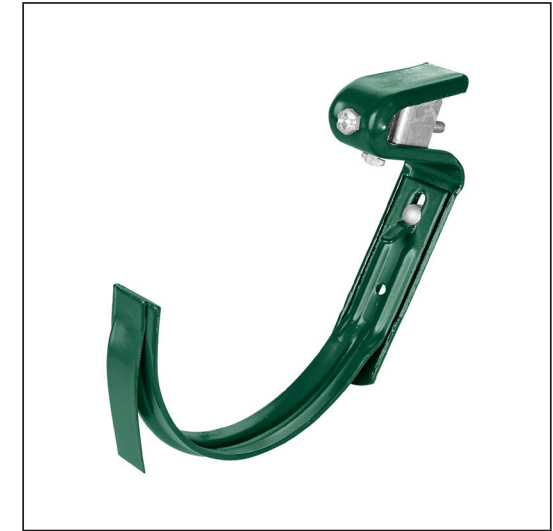
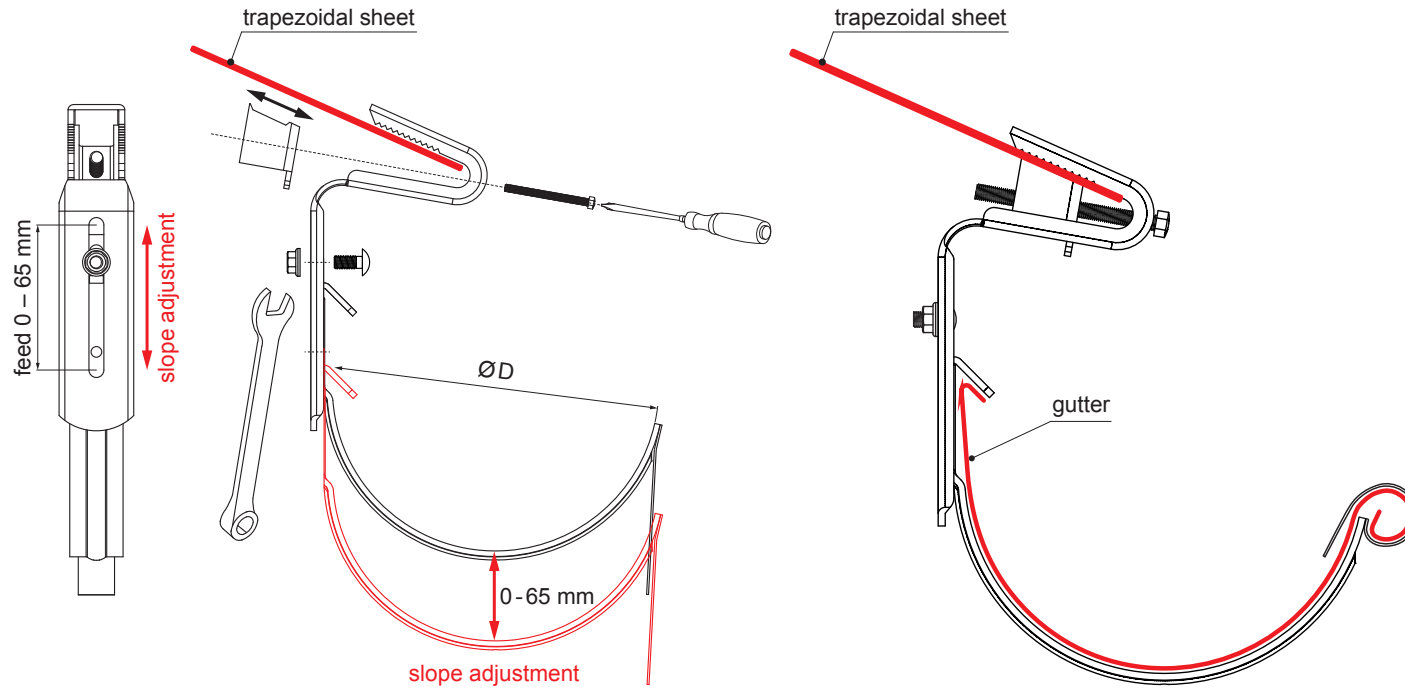


TECHNICAL SHEET

# ROOF HOOK FOR TRAPEZOIDAL SHEET PROFILE

# P-PHPTW



**MZ** Galvanized steel pre-painted  
- Moss green - RAL 6005

Dimensions [mm]	
Nominal dimension	Ø D
250	105
333	153
400	192

INDEX	CHANGE	DATE	SIGNATURE	<b>KJG</b> QUALITY®	Scan code for 3D model
MATERIAL BRAND			W.C.	WEIGHT kg	SCALE
SIZE, SEMI-FINISHED PRODUCTS				STN STANDARD	SORTING NUMBER
AUXILIARY EQUIPMENT				NOTE	POSITION NUMBER
ELABORATED BY Ing. Kluska M.					
TESTED BY					
TECHNOLOGIST	TECHNOLOGIST			OLD DRAWING	DRAWING NUMBER
NAME			Roof hook for trapezoidal sheet profile		
			Number of sheets	P-PHPTW	Sheet

Created: 06.06.2026 18:42:51

Technical changes reserved