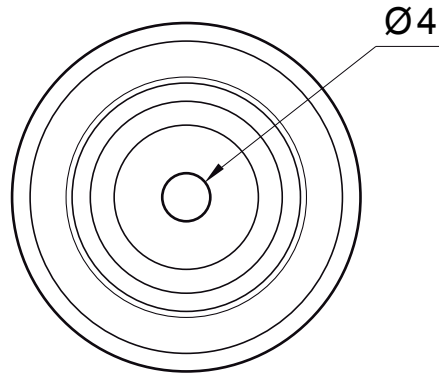
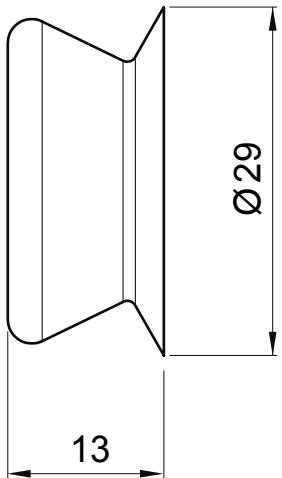




TECHNICAL SHEET

GRUBBER CAP FOR DOWNPIPE BRACKET SCREW

P-POB-HT AKG



TM PVC – Testa di Moro – RAL 8028

INDEX CHANGE		DATE	SIGNATURE	KJG QUALITY®	Scan code for 3D model 
MATERIAL BRAND			W.C.	WEIGHT kg	SCALE
SIZE, SEMI-FINISHED PRODUCTS				STN STANDARD	SORTING NUMBER
AUXILIARY EQUIPMENT				NOTE	POSITION NUMBER
ELABORATED BY Ing. Kluska M.					
TESTED BY					
TECHNOLOGIST		TECHNOLOGIST		OLD DRAWING	DRAWING NUMBER
NAME Rubber cap for downpipe bracket screw				Number of sheets	P-POB-HT AKG Sheet 

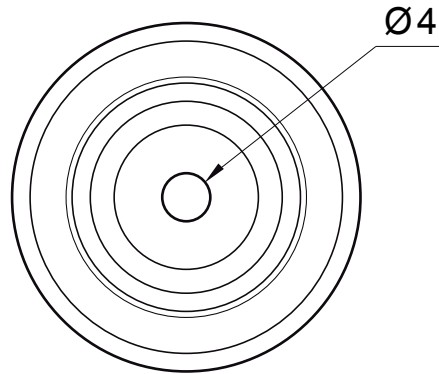
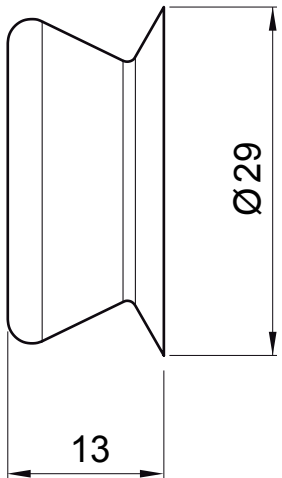
Created: 04.06.2026 17:41:22

Technical changes reserved

TECHNICAL SHEET

GRUBBER CAP FOR DOWNPIPE BRACKET SCREW

P-POB-HT AKG



AN PVC – Anthracite – RAL 7016

INDEX	CHANGE	DATE	SIGNATURE	KJG QUALITY®	Scan code for 3D model
MATERIAL BRAND			W.C.	WEIGHT kg	SCALE
SIZE, SEMI-FINISHED PRODUCTS			STN STANDARD		SORTING NUMBER
AUXILIARY EQUIPMENT			NOTE		POSITION NUMBER
ELABORATED BY Ing. Kluska M.			OLD DRAWING		DRAWING NUMBER
TESTED BY			TECHNOLOGIST		
NAME			Rubber cap for downpipe bracket screw		Number of sheets
			P-POB-HT AKG		Sheet

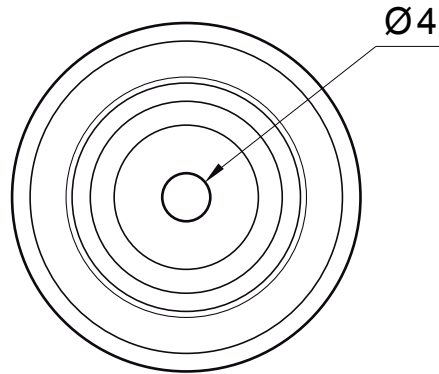
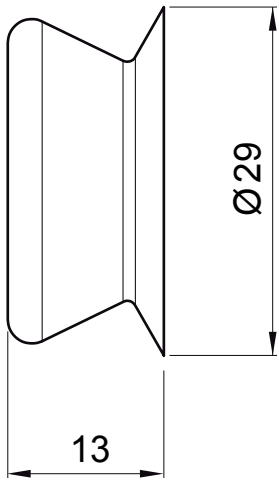
Created: 04.06.2026 17:41:22

Technical changes reserved



TECHNICAL SHEET

GRUBBER CAP FOR DOWNPIPE BRACKET SCREW

P-POB-HT AKG



IC PVC – Intense black – RAL 9005

INDEX	CHANGE	DATE	SIGNATURE	KJG QUALITY®	Scan code for 3D model 
MATERIAL BRAND			W.C.	WEIGHT kg	SCALE
SIZE, SEMI-FINISHED PRODUCTS				STN STANDARD	SORTING NUMBER
AUXILIARY EQUIPMENT				NOTE	POSITION NUMBER
ELABORATED BY Ing. Kluska M.					
TESTED BY					
TECHNOLOGIST		TECHNOLOGIST		OLD DRAWING	DRAWING NUMBER
NAME Rubber cap for downpipe bracket screw				Number of sheets	P-POB-HT AKG Sheet 

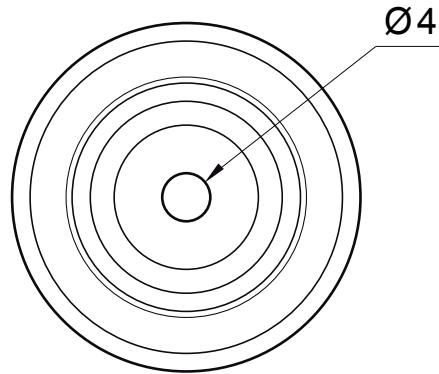
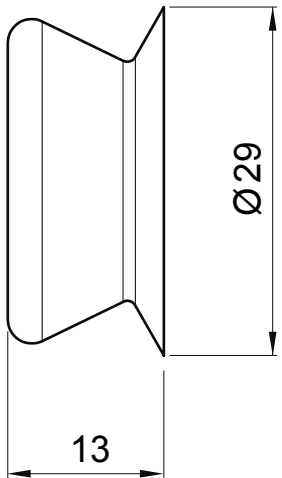
Created: 04.06.2026 17:41:22

Technical changes reserved

TECHNICAL SHEET

GRUBBER CAP FOR DOWNPIPE BRACKET SCREW

P-POB-HT AKG



OC PVC – Steel red – RAL 3009

INDEX	CHANGE	DATE	SIGNATURE	KJG QUALITY®	Scan code for 3D model
MATERIAL BRAND			W.C.	WEIGHT kg	SCALE
SIZE, SEMI-FINISHED PRODUCTS			STN STANDARD		SORTING NUMBER
AUXILIARY EQUIPMENT			NOTE		POSITION NUMBER
ELABORATED BY Ing. Kluska M.			OLD DRAWING		DRAWING NUMBER
TESTED BY			TECHNOLOGIST		
TECHNOLOGIST			NAME		
			Rubber cap for downpipe bracket screw		
			Number of sheets		P-POB-HT AKG Sheet

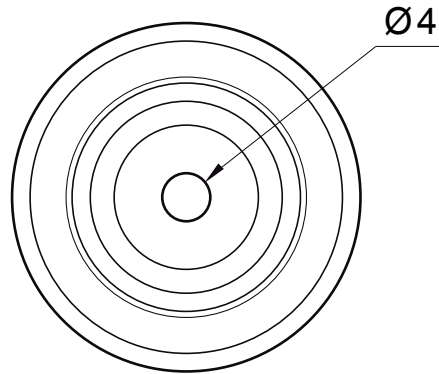
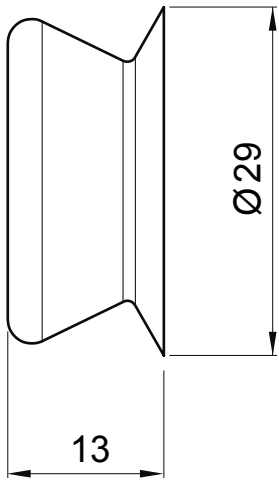
Created: 04.06.2026 17:41:22

Technical changes reserved



TECHNICAL SHEET

GRUBBER CAP FOR DOWNPIPE BRACKET SCREW

P-POB-HT AKG



MH PVC – Copper brown – RAL 8004

INDEX CHANGE		DATE	SIGNATURE	KJG QUALITY®	Scan code for 3D model 
MATERIAL BRAND			W.C.	WEIGHT kg	SCALE
SIZE, SEMI-FINISHED PRODUCTS				STN STANDARD	SORTING NUMBER
AUXILIARY EQUIPMENT				NOTE	POSITION NUMBER
ELABORATED BY Ing. Kluska M.					
TESTED BY					
TECHNOLOGIST		TECHNOLOGIST		OLD DRAWING	DRAWING NUMBER
NAME Rubber cap for downpipe bracket screw				Number of sheets	P-POB-HT AKG Sheet 

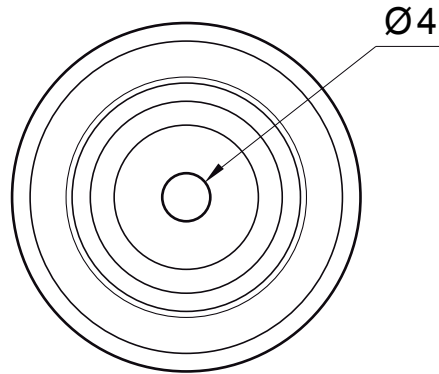
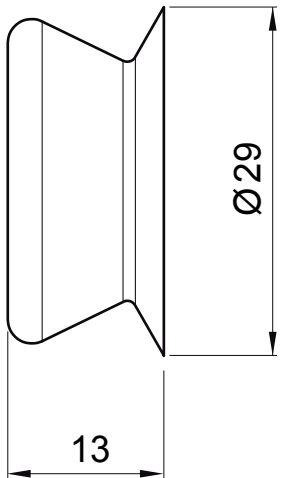
Created: 04.06.2026 17:41:22

Technical changes reserved


TECHNICAL SHEET

GRUBBER CAP FOR DOWNPIPE BRACKET SCREW

P-POB-HT AKG



- PS** PVC – Dusty grey RAL 7037
- BH** PVC – White aluminum RAL 9006
- BHT** PVC – Grey aluminum RAL 9007

INDEX									
CHANGE									
			DATE		SIGNATURE		KJG	Scan code for 3D model	
						QUALITY			
MATERIAL BRAND			W.C.	WEIGHT kg		SCALE			
SIZE, SEMI-FINISHED PRODUCTS			STN STANDARD		SORTING NUMBER				
AUXILIARY EQUIPMENT			NOTE		POSITION NUMBER				
ELABORATED BY Ing. Kluska M.			OLD DRAWING		DRAWING NUMBER				
TESTED BY			DRAWING NUMBER						
TECHNOLOGIST			TECHNOLOGIST						
NAME			Rubber cap for downpipe bracket screw		Number of sheets		P-POB-HT AKG Sheet		

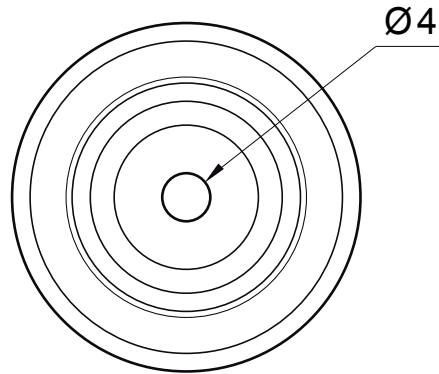
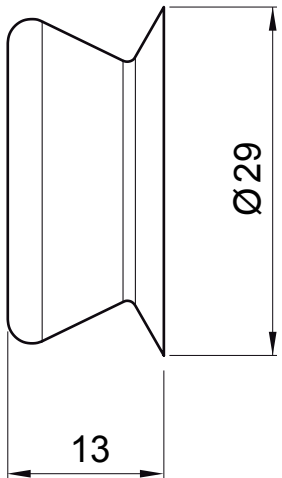
Created: 04.06.2026 17:41:22

Technical changes reserved



TECHNICAL SHEET

GRUBBER CAP FOR DOWNPIPE BRACKET SCREW

P-POB-HT AKG



MZ PVC – Moss green – RAL 6005

INDEX	CHANGE	DATE	SIGNATURE	KJG QUALITY®	Scan code for 3D model 
MATERIAL BRAND			W.C.	WEIGHT kg	SCALE
SIZE, SEMI-FINISHED PRODUCTS				STN STANDARD	SORTING NUMBER
AUXILIARY EQUIPMENT				NOTE	POSITION NUMBER
ELABORATED BY Ing. Kluska M.					
TESTED BY					
TECHNOLOGIST		TECHNOLOGIST		OLD DRAWING	DRAWING NUMBER
NAME Rubber cap for downpipe bracket screw				Number of sheets	P-POB-HT AKG Sheet 

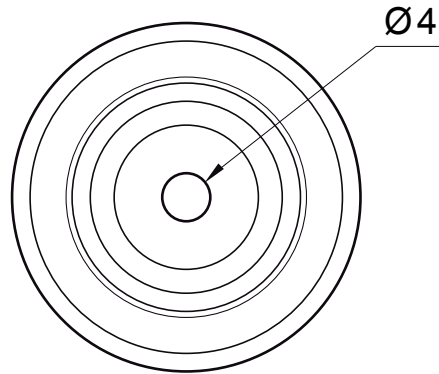
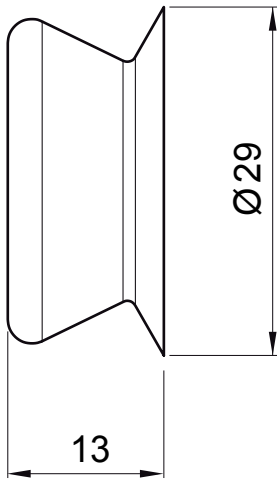
Created: 04.06.2026 17:41:22

Technical changes reserved




TECHNICAL SHEET

GRUBBER CAP FOR DOWNPIPE BRACKET SCREW

P-POB-HT AKG



ZH PVC – Brown grey – RAL 7013

INDEX	CHANGE	DATE	SIGNATURE		
MATERIAL BRAND			W.C.	WEIGHT kg	SCALE
SIZE, SEMI-FINISHED PRODUCTS				STN STANDARD	SORTING NUMBER
AUXILIARY EQUIPMENT				NOTE	POSITION NUMBER
ELABORATED BY Ing. Kluska M.					
TESTED BY					
TECHNOLOGIST		TECHNOLOGIST		OLD DRAWING	DRAWING NUMBER
NAME Rubber cap for downpipe bracket screw				Number of sheets	P-POB-HT AKG Sheet 

Created: 04.06.2026 17:41:22

Technical changes reserved