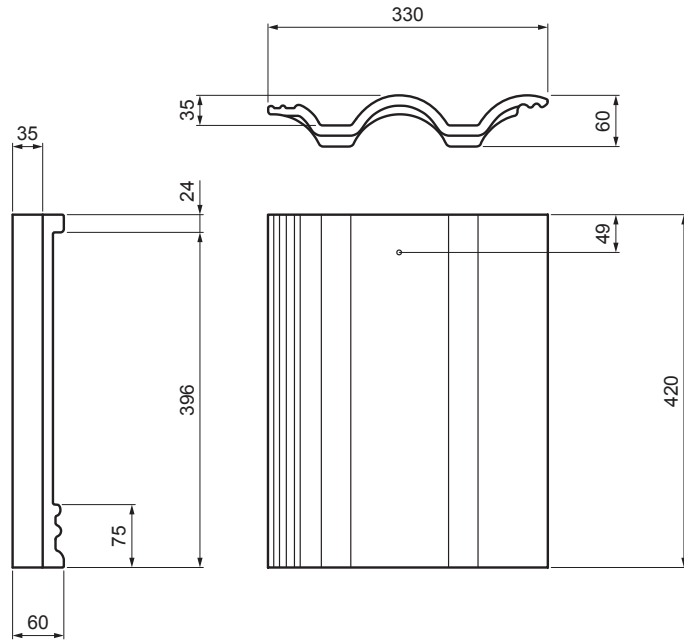


TECHNICAL SHEET

# BASE ROOF TILE DANUBIA



# TER-DANI AN SKZAK



**AN** Colour : Anthracite  
Surface treatment: INOVA

Technical parameters	
Dimensions	330 x 420 mm
Component consumption	9,8 – 10,58 pcs/m <sup>2</sup>
Weight	4,50 kg/pcs
Packaging	252 pcs

INDEX	CHANGE	DATE	SIGNATURE	<b>KJG</b> QUALITY	<b>TERRAN</b> FABRIKY SVET STROICH
MATERIAL BRAND			W.C.	WEIGHT kg	SCALE
SIZE, SEMI-FINISHED PRODUCTS				STN STANDARD	SORTING NUMBER
AUXILIARY EQUIPMENT				NOTE	POSITION NUMBER
ELABORATED BY Ing. Kluska M.					
TESTED BY					
TECHNOLOGIST		TECHNOLOGIST		OLD DRAWING	DRAWING NUMBER
NAME Base roof tile DANUBIA				Number of sheets	TER-DANI AN SKZAK Sheet

Created: 02.06.2026 17:52:02

Technical changes reserved