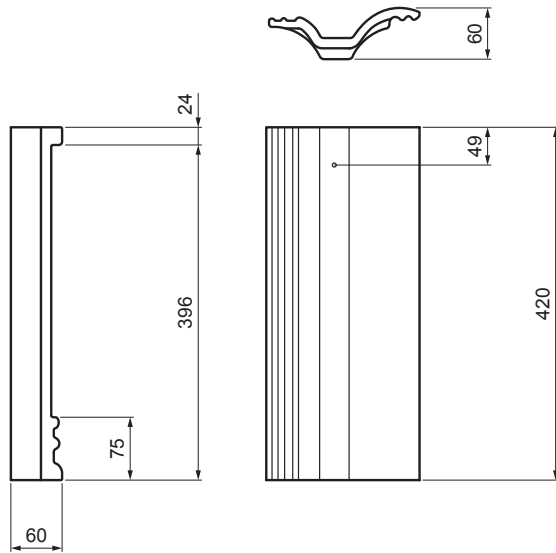





TECHNICAL SHEET

HALF ROOF TILE DANUBIA

TER-DANI AN SKPOL




AN Colour : Anthracite
Surface treatment: INOVA

INDEX	CHANGE	DATE	SIGNATURE	 	
MATERIAL BRAND			W.C.	WEIGHT kg	SCALE
SIZE, SEMI-FINISHED PRODUCTS				STN STANDARD	SORTING NUMBER
AUXILIARY EQUIPMENT				NOTE	POSITION NUMBER
ELABORATED BY Ing. Kluska M.					
TESTED BY					
TECHNOLOGIST		TECHNOLOGIST		OLD DRAWING	DRAWING NUMBER
NAME			TER-DANI AN SKPOL		
Half roof tile DANUBIA			Number of sheets		Sheet 

Created: 02.06.2026 17:53:46

Technical changes reserved

Technical parameters	
Covering width	150 mm
Component consumption	as required
Weight	2,50 kg/pcs
 Packaging	168 pcs