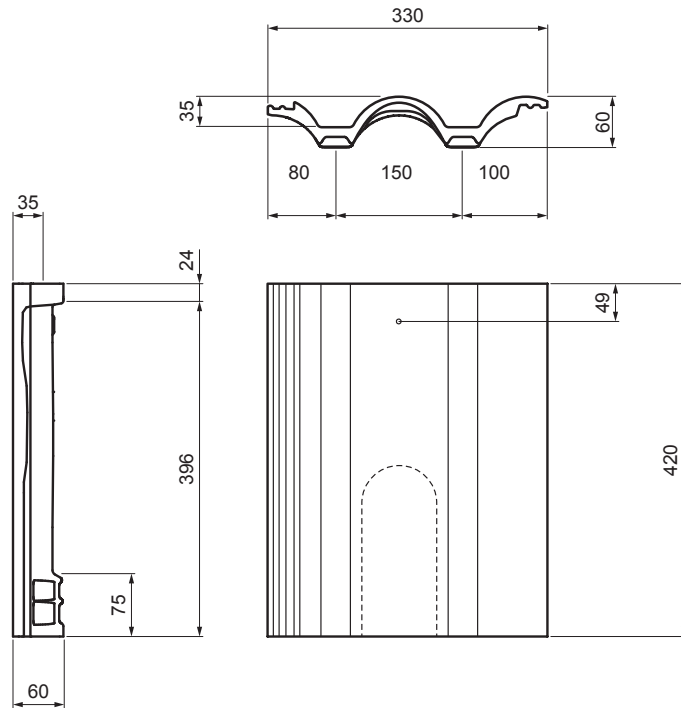


TECHNICAL SHEET

VENTILATION ROOF TILE DANUBIA

TER-DANI TH SKODV



TH Colour : Dark brown
Surface treatment: INOVA

Technical parameters	
Covering width	300 mm
Material consumption	4,5 pcs / 10 m ² (450 cm ² = 45 pcs / 100 m ²) or at least 3 pcs in each space between the rafters
Ventilation cross-section	~ 10 cm ²
Weight	4,30 kg/pcs
Packaging	126 pcs

INDEX	CHANGE	DATE	SIGNATURE	KJG QUALITY®	TERRAN FABRIČKY SVETLOVA
MATERIAL BRAND			W.C.	WEIGHT kg	SCALE
SIZE, SEMI-FINISHED PRODUCTS					
AUXILIARY EQUIPMENT				STN STANDARD	SORTING NUMBER
ELABORATED BY Ing. Kluska M.				NOTE	POSITION NUMBER
TESTED BY					
TECHNOLOGIST		TECHNOLOGIST		OLD DRAWING	DRAWING NUMBER
NAME Ventilation roof tile DANUBIA				Number of sheets TER-DANI TH SKODV Sheet	

Created: 02.06.2026 17:51:55

Technical changes reserved