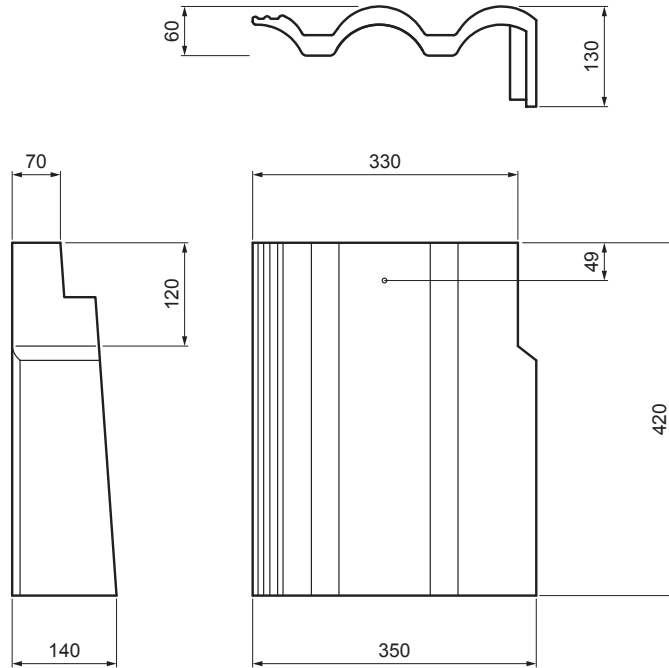


TECHNICAL SHEET

# RIGHT EDGE TILE DANUBIA

# TER-DANI IC SKKRP



**IC** Colour : Intense black  
Surface treatment: INOVA

Technical parameters	
Dimensions	350 x 420 mm
Covering width	350 – 420 mm
Component consumption	2,9 – 3,3 pcs/lm
Possibility of application	with batten spacing of 30,5 – 34 cm
Weight	6,90 kg/pcs
Packaging	28 pcs

INDEX	CHANGE	DATE	SIGNATURE		
MATERIAL BRAND			W.C.	WEIGHT kg	SCALE
SIZE, SEMI-FINISHED PRODUCTS					
AUXILIARY EQUIPMENT				STN STANDARD	SORTING NUMBER
ELABORATED BY Ing. Kluska M.				NOTE	POSITION NUMBER
TESTED BY					
TECHNOLOGIST		TECHNOLOGIST		OLD DRAWING	DRAWING NUMBER
NAME Right edge tile DANUBIA				Number of sheets	TER-DANI IC SKKRP Sheet

Created: 02.06.2026 17:52:04

Technical changes reserved