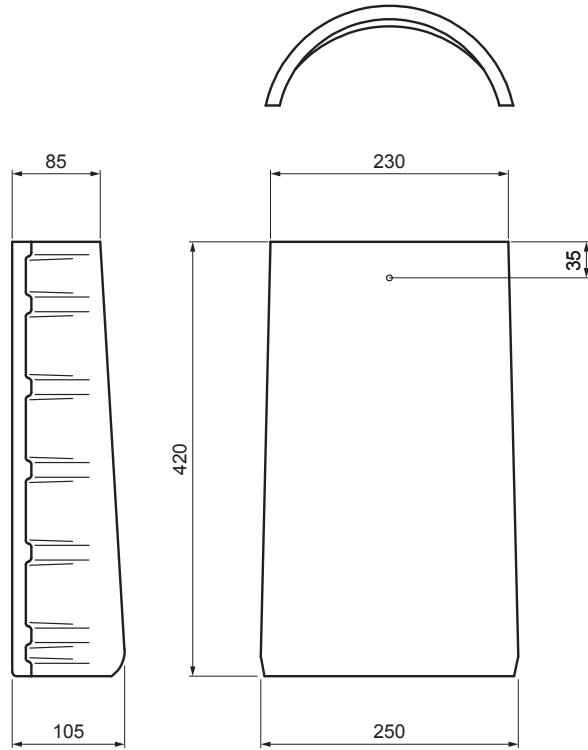


TECHNICAL SHEET

RIDGE CAP DANUBIA

TER-DANI AN HRE



AN Colour : Anthracite
Surface treatment: INOVA

| Technical parameters | |
|-----------------------|-----------------------------------|
| Dimensions | 250 / 230 x 420 mm |
| Covering length | 370 mm (with overlapping 5 cm) |
| Component consumption | 2,8 pcs/m (with overlapping 5 cm) |
| Covering | min. 5 cm |
| Attachment | ridge cap clip |
| Weight | 4,70 kg/pcs |
| Packaging | 128 pcs |

| | | | | | |
|------------------------------|--------|--------------|------------------|-----------------------|--------------------------------|
| INDEX | CHANGE | DATE | SIGNATURE | KJG QUALITY | TERRAN FABRIKY SVET STROICH |
| | | | | | |
| MATERIAL BRAND | | | W.C. | WEIGHT kg | SCALE |
| SIZE, SEMI-FINISHED PRODUCTS | | | | | |
| AUXILIARY EQUIPMENT | | | | STN STANDARD | SORTING NUMBER |
| ELABORATED BY Ing. Kluska M. | | | | NOTE | POSITION NUMBER |
| TESTED BY | | | | | |
| TECHNOLOGIST | | TECHNOLOGIST | | OLD DRAWING | DRAWING NUMBER |
| NAME | | | TER-DANI AN HRE | | |
| Ridge cap DANUBIA | | | Number of sheets | | Sheet |

Created: 02.06.2026 17:51:47

Technical changes reserved