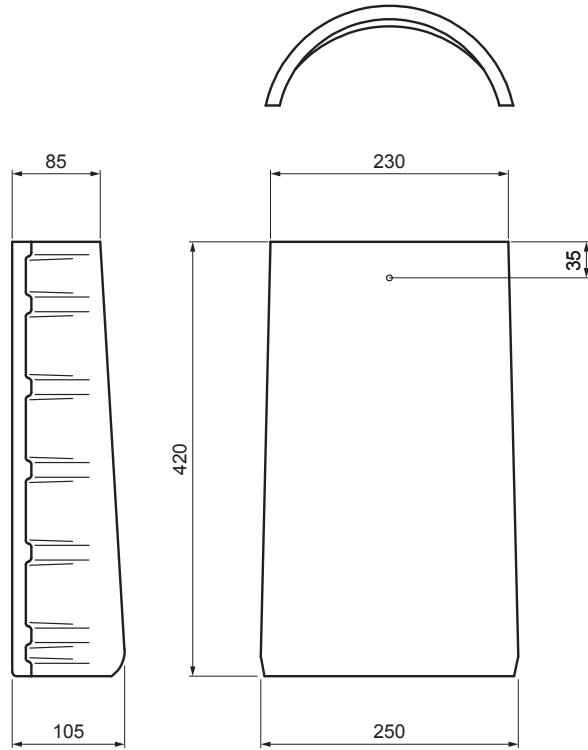


TECHNICAL SHEET

# RIDGE CAP DANUBIA

# TER-DANI TS HRE



**TS** Colour : Dark gray  
Surface treatment: INOVA

Technical parameters	
Dimensions	250 / 230 x 420 mm
Covering length	370 mm (with overlapping 5 cm)
Component consumption	2,8 pcs/m (with overlapping 5 cm)
Covering	min. 5 cm
Attachment	ridge cap clip
Weight	4,70 kg/pcs
Packaging	128 pcs

INDEX	CHANGE	DATE	SIGNATURE		
MATERIAL BRAND			W.C.	WEIGHT kg	SCALE
SIZE, SEMI-FINISHED PRODUCTS					
AUXILIARY EQUIPMENT				STN STANDARD	SORTING NUMBER
ELABORATED BY Ing. Kluska M.				NOTE	POSITION NUMBER
TESTED BY					
TECHNOLOGIST		TECHNOLOGIST		OLD DRAWING	DRAWING NUMBER
NAME			TER-DANI TS HRE		
Ridge cap DANUBIA			Number of sheets		Sheet

Created: 02.06.2026 17:52:02

Technical changes reserved