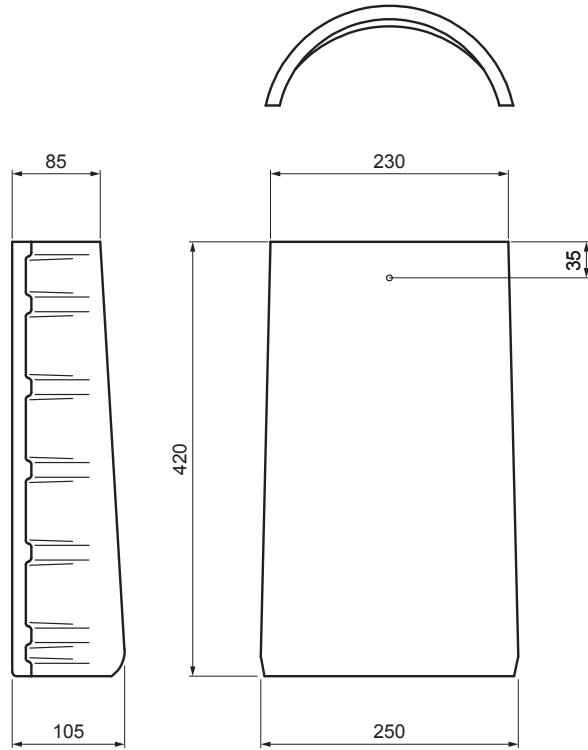


TECHNICAL SHEET

RIDGE CAP DANUBIA

TER-DANI TH HRE



TH Colour : Dark brown
Surface treatment: INOVA

Technical parameters	
Dimensions	250 / 230 x 420 mm
Covering length	370 mm (with overlapping 5 cm)
Component consumption	2,8 pcs/m (with overlapping 5 cm)
Covering	min. 5 cm
Attachment	ridge cap clip
Weight	4,70 kg/pcs
Packaging	128 pcs

INDEX	CHANGE	DATE	SIGNATURE		
MATERIAL BRAND			W.C.	WEIGHT kg	SCALE
SIZE, SEMI-FINISHED PRODUCTS			STN STANDARD		SORTING NUMBER
AUXILIARY EQUIPMENT			NOTE		POSITION NUMBER
ELABORATED BY Ing. Kluska M.			OLD DRAWING		DRAWING NUMBER
TESTED BY			TECHNOLOGIST		
NAME			Ridge cap DANUBIA		Number of sheets
			TER-DANI TH HRE		Sheet

Created: 02.06.2026 17:51:24

Technical changes reserved