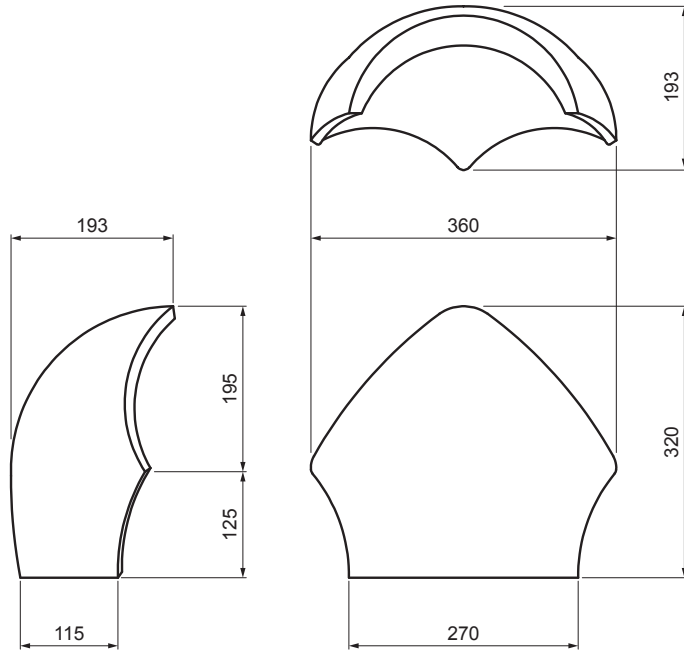


TECHNICAL SHEET

# RIDGE JUNCTION CAP Y DANUBIA

# TER-DANI AN HREY



**AN** Colour : Anthracite  
Surface treatment: INOVA

Technical parameters	
Dimensions	320 x 360 mm
Material consumption	1 pcs / per point of contact
Covering	min. 5 cm on each side
Attachment	with a sealing nail
Weight	7 kg/pcs
Packaging	32 pcs

INDEX	CHANGE	DATE	SIGNATURE		
MATERIAL BRAND			W.C.	WEIGHT kg	SCALE
SIZE, SEMI-FINISHED PRODUCTS				STN STANDARD	SORTING NUMBER
AUXILIARY EQUIPMENT				NOTE	POSITION NUMBER
ELABORATED BY Ing. Kluska M.					
TESTED BY					
TECHNOLOGIST		TECHNOLOGIST		OLD DRAWING	DRAWING NUMBER
NAME				TER-DANI AN HREY	
Ridge junction cap Y DANUBIA				Number of sheets	Sheet

Created: 02.06.2026 17:51:21

Technical changes reserved