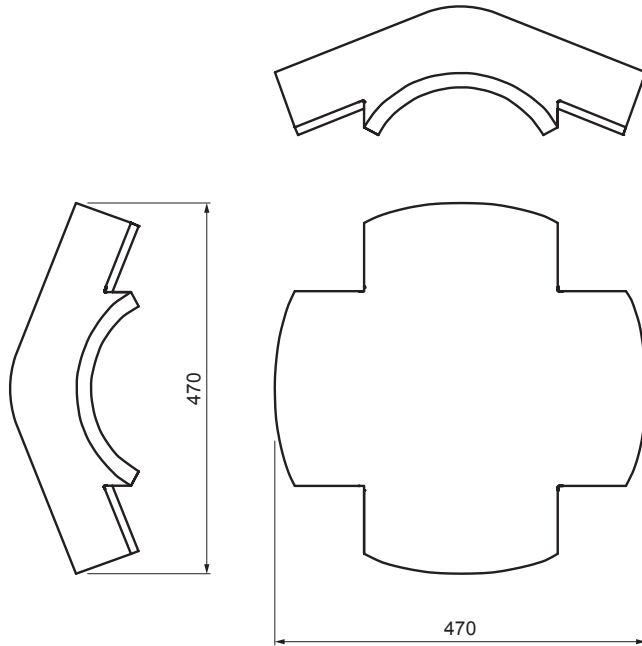


TECHNICAL SHEET

RIDGE CAP X DANUBIA



TER-DANE MO HREX



MO Colour : Mocca
Surface treatment: EVO

Technical parameters	
Dimensions	508 x 508 mm
Material consumption	1 pcs / per point of contact
Covering	min. 5 cm on each side
Attachment	with a sealing nail
Weight	14 kg/pcs
Packaging	16 pcs

INDEX CHANGE		DATE	SIGNATURE		
MATERIAL BRAND		W.C.	WEIGHT kg		SCALE
SIZE, SEMI-FINISHED PRODUCTS		STN STANDARD		SORTING NUMBER	
AUXILIARY EQUIPMENT		NOTE		POSITION NUMBER	
ELABORATED BY Ing. Kluska M.		TECHNOLOGIST		OLD DRAWING	DRAWING NUMBER
TESTED BY		NAME		TER-DANE MO HREX	
Ridge cap X DANUBIA		Number of sheets		Sheet	

Created: 02.06.2026 17:52:04

Technical changes reserved