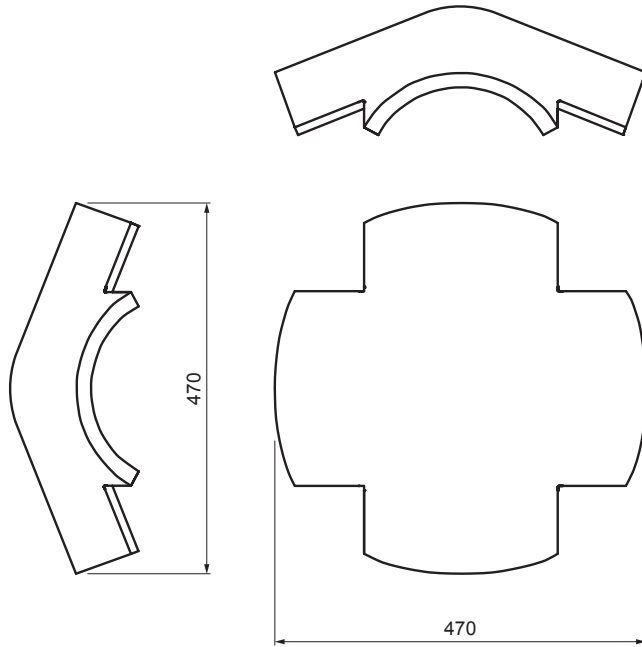


TECHNICAL SHEET

RIDGE CAP X DANUBIA



TER-DANI TH HREX



TH Colour : Dark brown
Surface treatment: INOVA

Technical parameters	
Dimensions	508 x 508 mm
Material consumption	1 pcs / per point of contact
Covering	min. 5 cm on each side
Attachment	with a sealing nail
Weight	14 kg/pcs
Packaging	16 pcs

INDEX	CHANGE	DATE	SIGNATURE		
MATERIAL BRAND			W.C.	WEIGHT kg	SCALE
SIZE, SEMI-FINISHED PRODUCTS			STN STANDARD		SORTING NUMBER
AUXILIARY EQUIPMENT			NOTE		POSITION NUMBER
ELABORATED BY Ing. Kluska M.			OLD DRAWING		DRAWING NUMBER
TESTED BY			TECHNOLOGIST		
NAME			Ridge cap X DANUBIA		Number of sheets
			TER-DANI TH HREX		Sheet

Created: 02.06.2026 17:52:03

Technical changes reserved