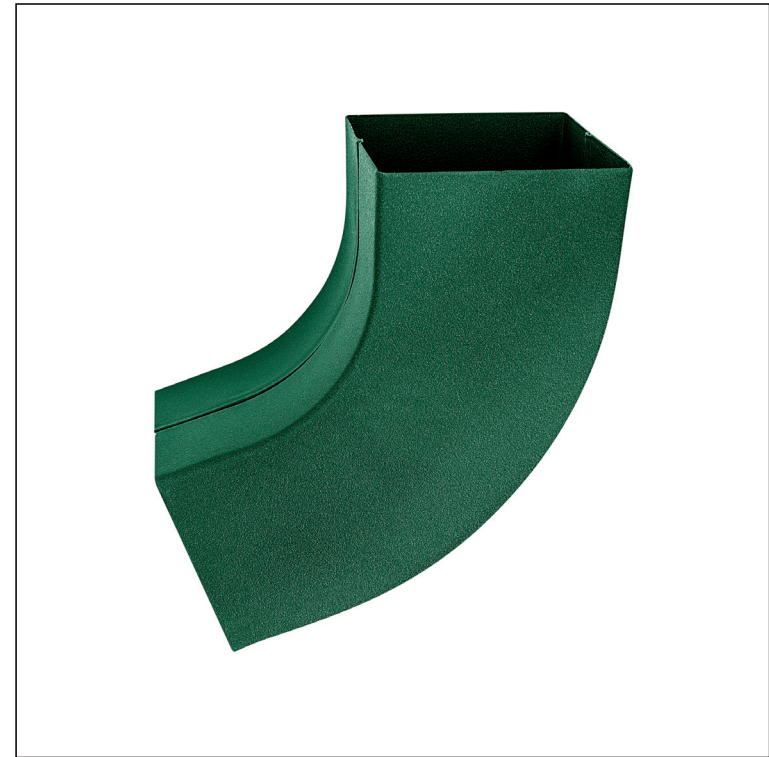
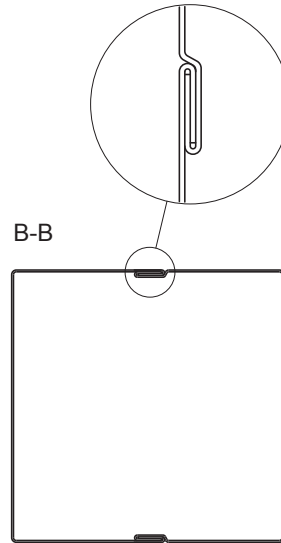


TECHNICAL SHEET

ELBOW SQUARE 72°

W.15H-WKH



Aluminium pre-painted W.15 – Moss green W.15 – RAL 6005

Dimensions [mm]			
Nominal size	AxA	A1xA1	L
80/80	78 x 78	83 x 83	210
100/100	98 x 98	103 x 103	270

INDEX	CHANGE	DATE	SIGNATURE		
MATERIAL BRAND			W.C.	WEIGHT kg	SCALE
SIZE, SEMI-FINISHED PRODUCTS				STN STANDARD	SORTING NUMBER
AUXILIARY EQUIPMENT				NOTE	POSITION NUMBER
ELABORATED BY Ing. Kluska M.				OLD DRAWING	DRAWING NUMBER
TESTED BY					
TECHNOLOGIST			TECHNOLOGIST		
NAME			Elbow square 72°		Number of sheets
					W.15H-WKH
					Sheet

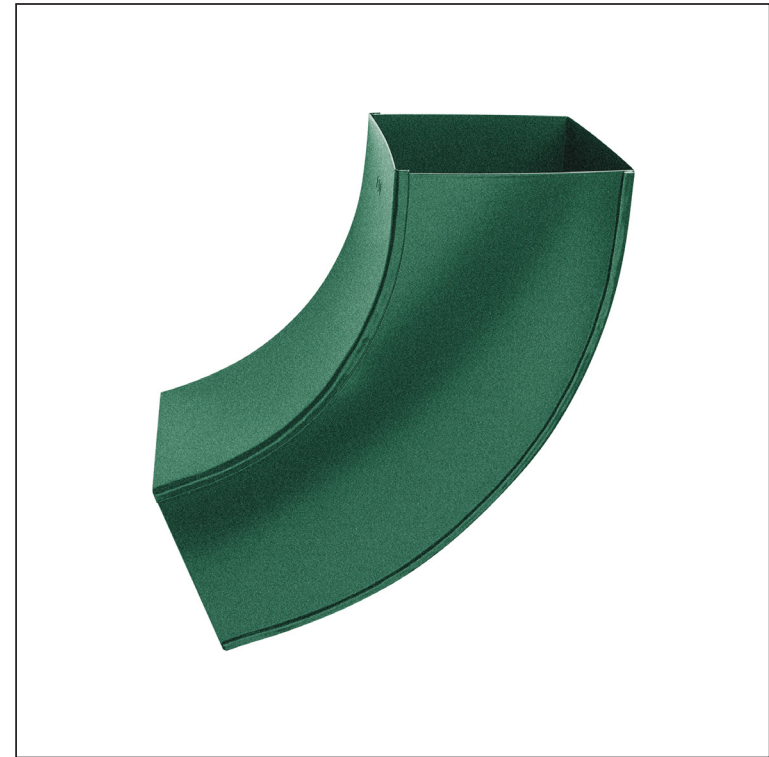
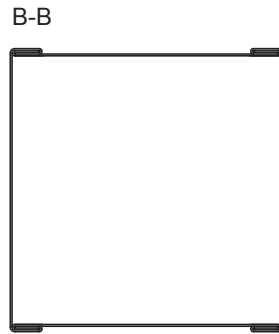
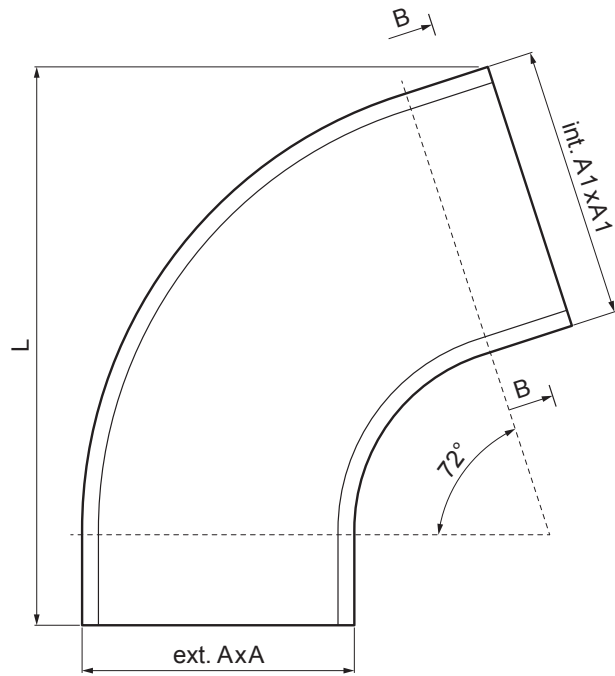
Created: 04.06.2026 01:25:08

Technical changes reserved

TECHNICAL SHEET

ELBOW SQUARE 72°

W.15H-WKH



Aluminium preprinted W.15 – Moss green W.15 – RAL 6005

INDEX	ZMENA	DATUM	PODPIS				
ZN. MAT.						T.O.	HMOTNOSŤ kg
ROZM.–POLOT							
POM. ZAR.					STN		TR.Č.
VYPR.	Ing. Kluska M.				POZN.		Č.POZÍCIE
PRESK.							
TECHNOL.		TECHNOL.			STARÝ V.		Č.V.
NÁZOV	Elbow square 72°				Počet listov	W.15H-WKH	List

Created: 04.06.2026 01:25:08

Technické zmeny vyhradené

Dimensions [mm]			
Nominal size	AxA	A1xA1	L
120/120	118 x 118	123 x 123	300