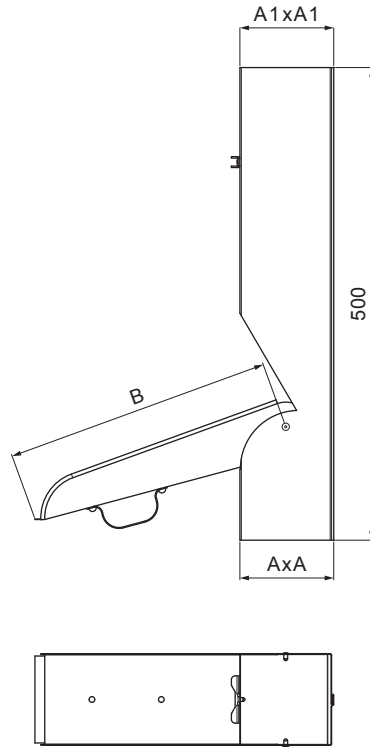


TECHNICAL SHEET





DOWNPIPE FLAP SQUARE

W.15H-WZVH



TMM Aluminium pre-painted W.15 – Testa di Moro W.15 – RAL 8028

Dimensions [mm]			
Nominal size	AxA	A1xA1	B
80x80	78x78	83x83	250
100x100	98x98	103x103	250
120x120	118x118	123x123	280

INDEX	CHANGE	DATE	SIGNATURE			
MATERIAL BRAND			W.C.	WEIGHT kg	SCALE	
SIZE, SEMI-FINISHED PRODUCTS					STN STANDARD	SORTING NUMBER
AUXILIARY EQUIPMENT					NOTE	POSITION NUMBER
ELABORATED BY Ing. Kluska M.					OLD DRAWING	DRAWING NUMBER
TESTED BY						
TECHNOLOGIST			TECHNOLOGIST			
NAME			Downpipe flap squar		Number of sheets	W.15H-WZVH Sheet 

Created: 03.06.2026 23:36:18

Technical changes reserved