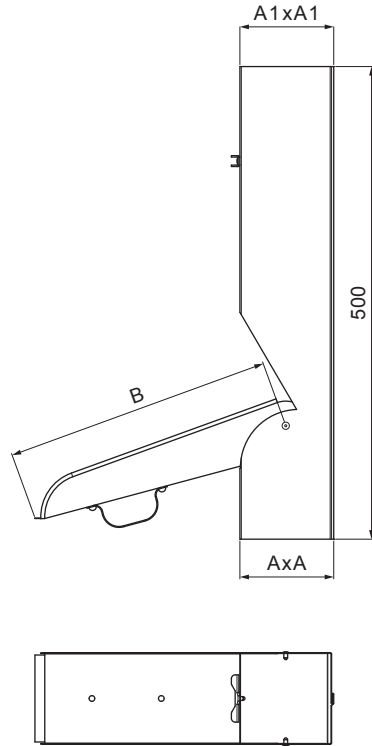


TECHNICAL SHEET




DOWNPIPE FLAP SQUARE

W.15H-WZVH



BM Aluminium pre-painted W.15 – Pure white W.15 – RAL 9010

Dimensions [mm]			
Nominal size	AxA	A1xA1	B
80x80	78x78	83x83	250
100x100	98x98	103x103	250
120x120	118x118	123x123	280

INDEX	CHANGE	DATE	SIGNATURE		
MATERIAL BRAND			W.C.	WEIGHT kg	SCALE
SIZE, SEMI-FINISHED PRODUCTS				STN STANDARD	SORTING NUMBER
AUXILIARY EQUIPMENT				NOTE	POSITION NUMBER
ELABORATED BY Ing. Kluska M.					
TESTED BY					
TECHNOLOGIST		TECHNOLOGIST		OLD DRAWING	DRAWING NUMBER
NAME			Downpipe flap squar		
			Number of sheets	W.15H-WZVH	Sheet 

Created: 04.06.2026 12:37:09

Technical changes reserved