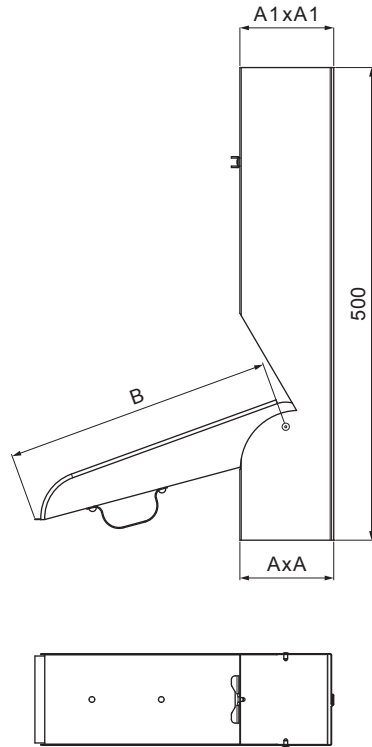


TECHNICAL SHEET

# DOWNPIPE FLAP SQUARE

## W.15H-WZVH



**MZM** Aluminium pre-painted W.15 – Moss green W.15 – RAL 6005

| Dimensions [mm] |         |         |     |
|-----------------|---------|---------|-----|
| Nominal size    | AxA     | A1xA1   | B   |
| 80x80           | 78x78   | 83x83   | 250 |
| 100x100         | 98x98   | 103x103 | 250 |
| 120x120         | 118x118 | 123x123 | 280 |

|                              |        |      |                     |                        |                        |
|------------------------------|--------|------|---------------------|------------------------|------------------------|
| INDEX                        | CHANGE | DATE | SIGNATURE           | <b>KJG</b><br>QUALITY® | Scan code for 3D model |
|                              |        |      |                     |                        |                        |
| MATERIAL BRAND               |        |      | W.C.                | WEIGHT kg              | SCALE                  |
| SIZE, SEMI-FINISHED PRODUCTS |        |      |                     | STN STANDARD           | SORTING NUMBER         |
| AUXILIARY EQUIPMENT          |        |      |                     | NOTE                   | POSITION NUMBER        |
| ELABORATED BY Ing. Kluska M. |        |      |                     |                        |                        |
| TESTED BY                    |        |      |                     | OLD DRAWING            | DRAWING NUMBER         |
| TECHNOLOGIST                 |        |      | TECHNOLOGIST        |                        |                        |
| NAME                         |        |      | Downpipe flap squar |                        |                        |
|                              |        |      | Number of sheets    | W.15H-WZVH             | Sheet                  |

Created: 04.06.2026 02:03:03

Technical changes reserved