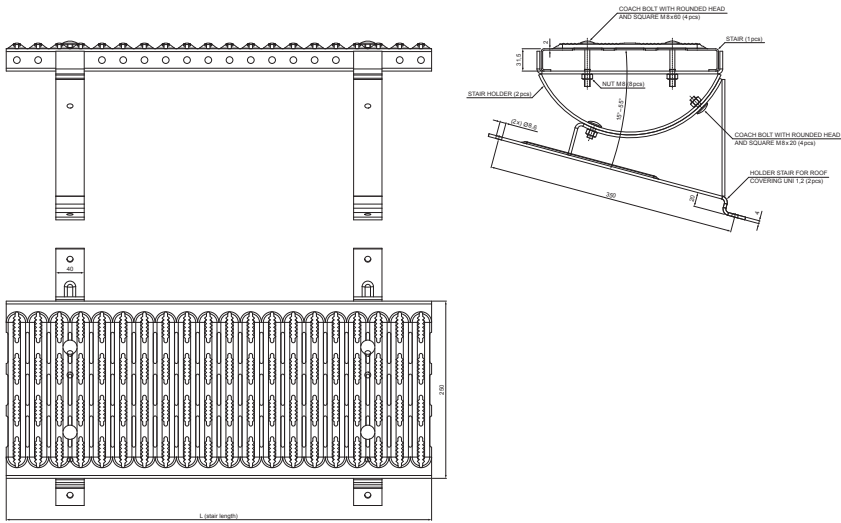


TECHNICAL SHEET

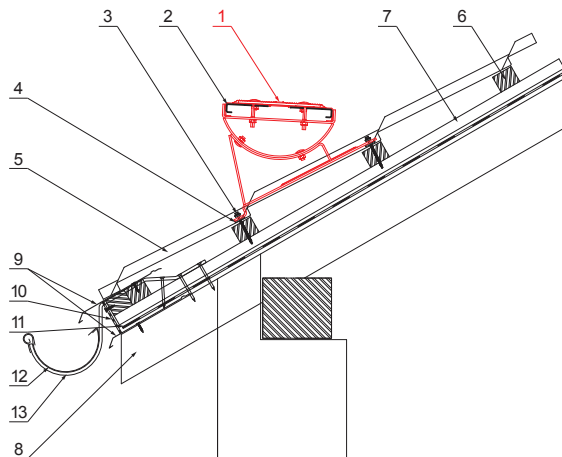
WALKWAY FOR UNI METAL ROOFING

W-UNI DACH



DETAIL:

- 1. walkway for uni metal roofing
- 2. connector for roof walkways
- 3. farmer screw 4,8x60
- 4. EPDM gasket 25x40x3
- 5. metal roofing
- 6. roof battens
- 7. batten
- 8. rafter
- 9. drip edge
- 10. protective ventilation belt
- 11. foil
- 12. gutter half-round
- 13. hook



BHT Color : Aluminium prepainted – Grey aluminum – RAL 9007
Material: Galvanized steel – Natur

INDEX	CHANGE	DATE	SIGNATURE	KJG QUALITY	Scan code for 3D model	
MATERIAL BRAND			W.C.	WEIGHT kg	SCALE	
SIZE, SEMI-FINISHED PRODUCTS					STN STANDARD	
AUXILIARY EQUIPMENT					SORTING NUMBER	
ELABORATED BY Ing. Kluska M.					NOTE	
TESTED BY					POSITION NUMBER	
TECHNOLOGIST		TECHNOLOGIST		OLD DRAWING	DRAWING NUMBER	
NAME			Walkway for UNI metal roofing		Number of sheets	W-UNI DACH
					Sheet	

Created: 25.05.2026 03:43:03

Technical changes reserved

Dimensions [mm]	
Nominal dimension	L
600	600