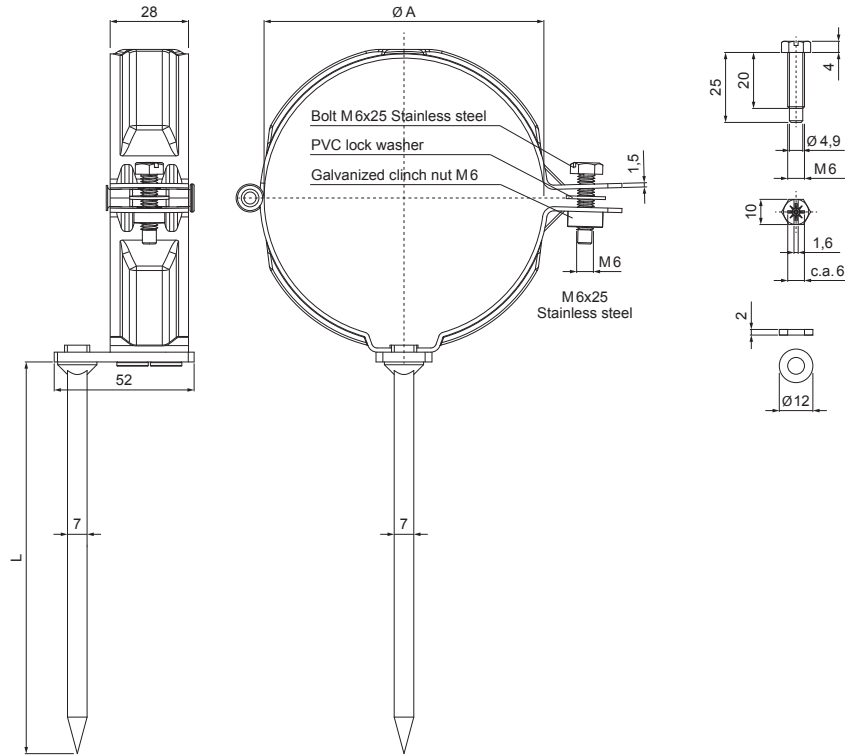


TECHNICAL SHEET





DOWNPIPE BRACKET WITH PIN 200 MM

P-POD



AN Galvanized steel pre-painted – Anthracite – RAL 7016

Dimensions [mm]		
Nominal size	Ø A	L
100	100	200

INDEX	CHANGE	DATE	SIGNATURE	  	
MATERIAL BRAND			W.C.	WEIGHT kg	SCALE
SIZE, SEMI-FINISHED PRODUCTS				STN STANDARD	SORTING NUMBER
AUXILIARY EQUIPMENT				NOTE	POSITION NUMBER
ELABORATED BY Ing. Kluska M.				OLD DRAWING	DRAWING NUMBER
TESTED BY					
TECHNOLOGIST			TECHNOLOGIST		
NAME			Downpipe bracket with pin 200 mm		
			Number of sheets	P-POD	Sheet 

Created: 05.06.2026 21:58:57

Technical changes reserved