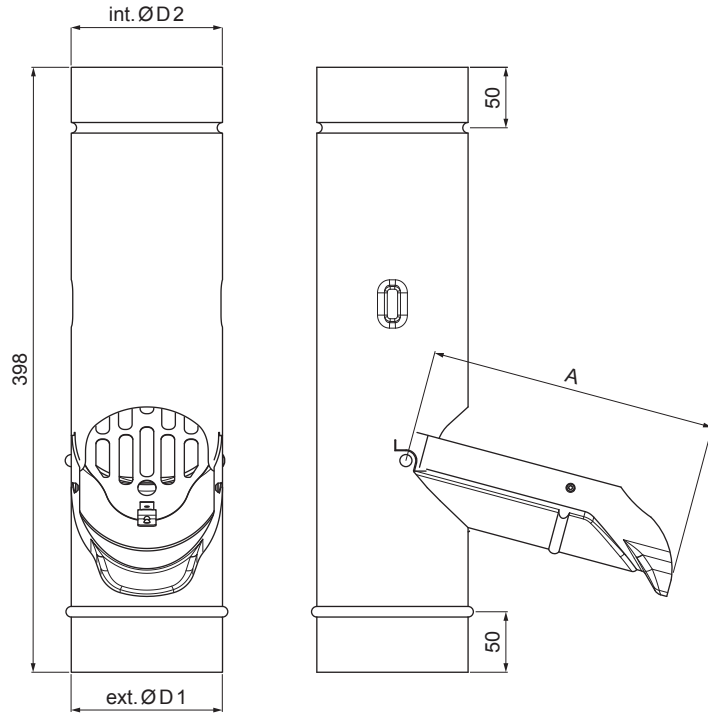


TECHNICAL SHEET




DOWNPIPE FLAP WITH SIEVE

P-PZVS



IC Galvanized steel prepainted – Intense black – RAL 9005

Dimensions [mm]			
Nominal size	A	ØD 1	ØD 2
80	150	80	80
100	190	100	100
120	230	120	120

INDEX	CHANGE	DATE	SIGNATURE		
MATERIAL BRAND			W.C.	WEIGHT kg	SCALE
SIZE, SEMI-FINISHED PRODUCTS				STN STANDARD	SORTING NUMBER
AUXILIARY EQUIPMENT				NOTE	POSITION NUMBER
ELABORATED BY Ing. Kluska M.					
TESTED BY					
TECHNOLOGIST		TECHNOLOGIST		OLD DRAWING	DRAWING NUMBER
NAME			P-PZVS		
Downpipe flap with sieve			Number of sheets		Sheet 

Created: 06.06.2026 10:51:32

Technical changes reserved