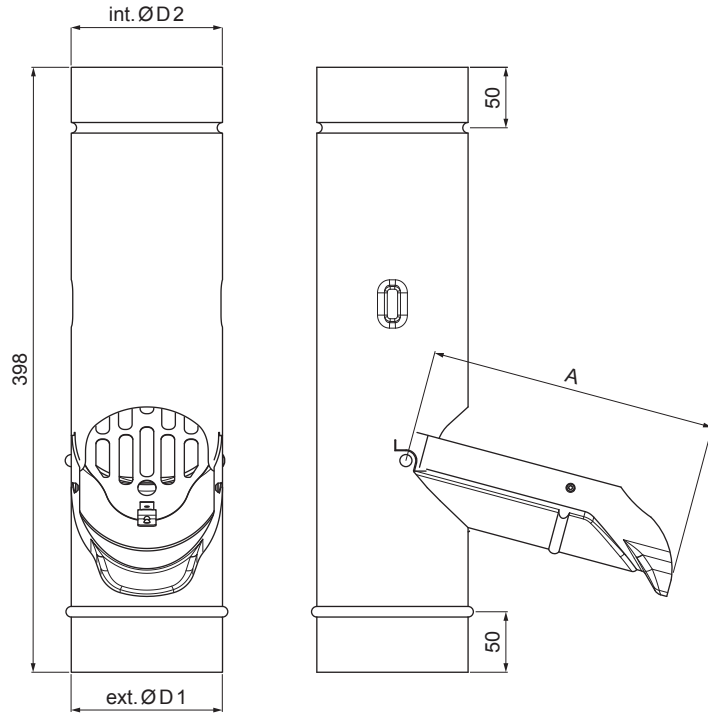


TECHNICAL SHEET




# DOWNPIPE FLAP WITH SIEVE

# P-PZVS



**TZ** Galvanized steel prepainted – Reseda green – RAL 6011

Dimensions [mm]			
Nominal size	A	ØD 1	ØD 2
80	150	80	80
100	190	100	100
120	230	120	120

INDEX	CHANGE	DATE	SIGNATURE		
MATERIAL BRAND			W.C.	WEIGHT kg	SCALE
SIZE, SEMI-FINISHED PRODUCTS				STN STANDARD	SORTING NUMBER
AUXILIARY EQUIPMENT				NOTE	POSITION NUMBER
ELABORATED BY Ing. Kluska M.					
TESTED BY					
TECHNOLOGIST		TECHNOLOGIST		OLD DRAWING	DRAWING NUMBER
NAME			P-PZVS		
Downpipe flap with sieve			Number of sheets		Sheet 

Created: 05.06.2026 06:28:25

Technical changes reserved