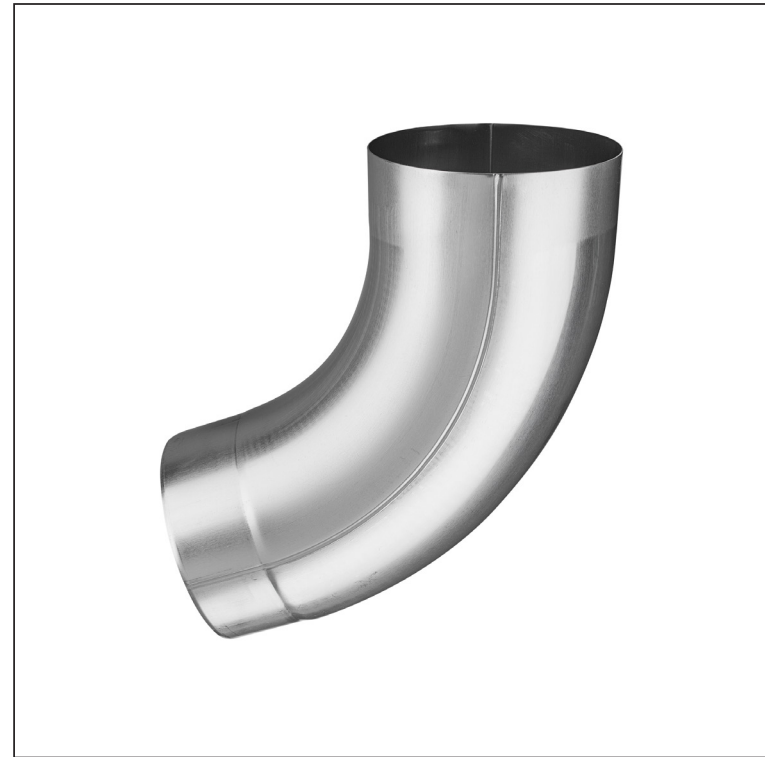
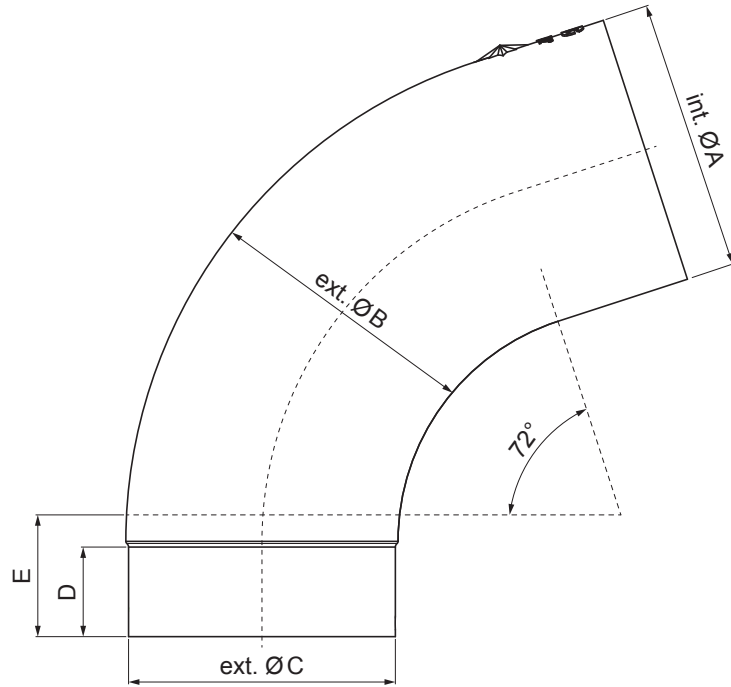


TECHNICAL SHEET ELBOW 72°

N-NK



304 2B Stainless steel – AISI 304 2B – MATT

Dimensions [mm]					
Nominal size	$\varnothing A$	$\varnothing B$	$\varnothing C$	D	E
60	60,7	58,7	58,4	-	30
80	80,4	79,0	76,9	28	40
100	100,4	99,0	96,8	35	50
120	120,3	119,0	116,7	42	60

INDEX	CHANGE	DATE	SIGNATURE	KJG QUALITY®	Scan code for 3D model
MATERIAL BRAND			W.C.	WEIGHT kg	SCALE
SIZE, SEMI-FINISHED PRODUCTS					
AUXILIARY EQUIPMENT			STN STANDARD		SORTING NUMBER
ELABORATED BY Ing. Kluska M.			NOTE		POSITION NUMBER
TESTED BY					
TECHNOLOGIST		TECHNOLOGIST	OLD DRAWING		DRAWING NUMBER
NAME Elbow 72°			Number of sheets		N-NK Sheet

Created: 05.06.2026 03:00:50

Technical changes reserved