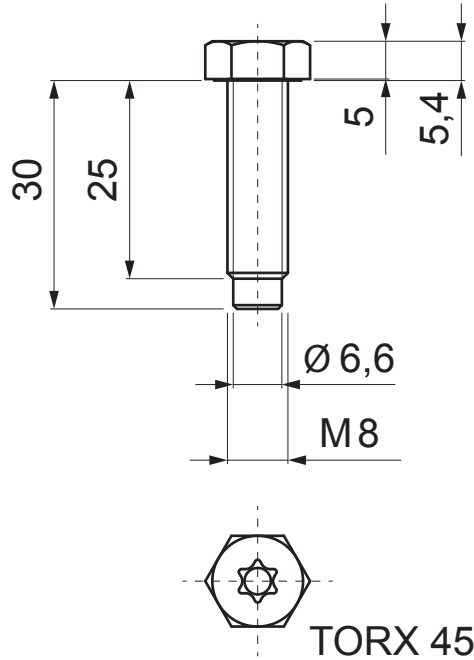





TECHNICAL SHEET

# STAINLESS STEEL SCREW FOR DOWNPIPE BRACKET M8 x 30

## P-POB-NSK



**304 2B** Stainless steel – AISI 304 2B – MATT

INDEX	CHANGE	DATE	SIGNATURE		
MATERIAL BRAND			W.C.	WEIGHT kg	SCALE
SIZE, SEMI-FINISHED PRODUCTS				STN STANDARD	SORTING NUMBER
AUXILIARY EQUIPMENT				NOTE	POSITION NUMBER
ELABORATED BY Ing. Kluska M.				OLD DRAWING	DRAWING NUMBER
TESTED BY			TECHNOLOGIST		
NAME			Stainless steel screw for downpipe bracket M8 x 30		Number of sheets
					P-POB-NSK Sheet 

Created: 05.06.2026 13:27:26

Technical changes reserved